

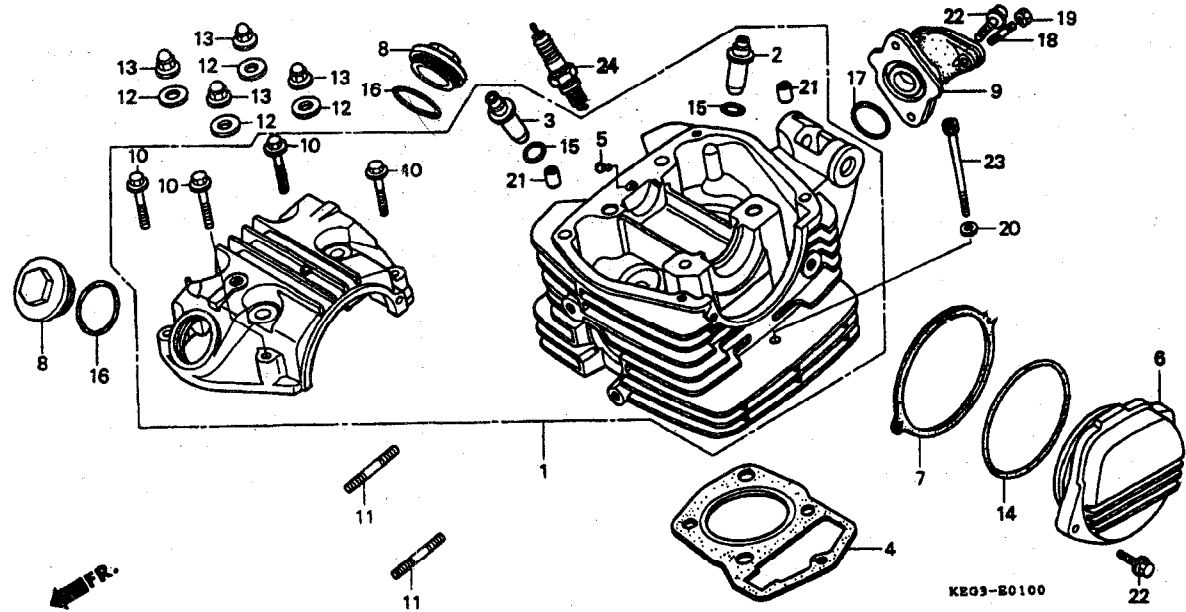
**KLIK PADA KELOMPOK ITEM YANG DICARI  
KELOMPOK ENGINE**

- |    |                       |     |                      |
|----|-----------------------|-----|----------------------|
| E1 | Cylinder head         | E8  | Left crankcase cover |
| E2 | Cam shaft/Valve       | E9  | Generator            |
| E3 | Cam chain/Tensioner   | E10 | Crankcase            |
| E4 | Cylinder              | E11 | Crankshaft/Piston    |
| E5 | Right crankcase cover | E12 | Transmission         |
| E6 | Clutch                | E13 | Gearshift drum       |
| E7 | Oil pump              | E14 | Kick starter spindle |
|    |                       | E15 | Carburetor           |

**C 1**

**E - 1**

Cylinder head

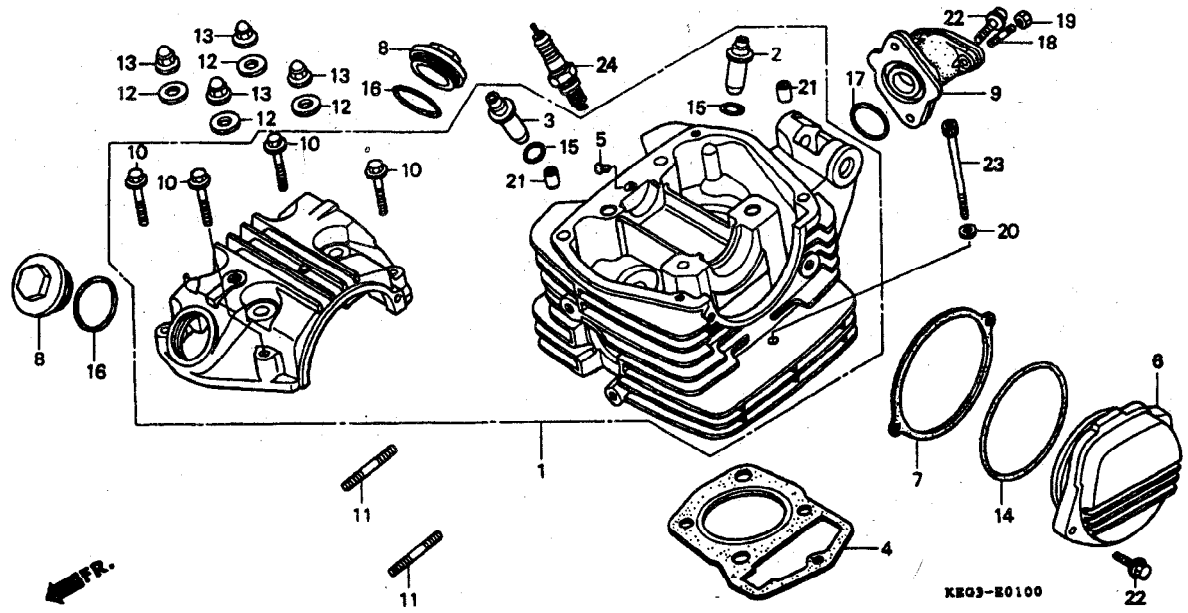


KEG3-B0100

Service item Bagian yang diservis	F.R.T.	Ref. No. Nomor	Part No. Nomor Part	Description Nama - Part	Reqd.No. Jumlah Gl. Max   GL. PRO	Serial No. Nomor Seri	Notes Catatan
HEAD ASSY., CYLINDER .....	0.32	1	12000-KCM-000	HEADASSY., CYLINDER .....	1	-	
GUIDE, VALVE .....	*2.9		12000-KCN-000	HEAD ASSY., CYLINDER .....	-	1	
(INC. REAMING)		2	12204-439-970	GUIDE, IN. VALVE .....	1	1	
(TERMASUK REAMING)		3	12206-KCN-300	GUIDE, EX. VALVE .....	1	1	
(ADD 0.3 FOR EACH.)		4	12251-KEG-910	GASKET, CYLINDER HEAD .....	1	-	
(TAMBAHKAN 0,3 UNTUK MASING-MASING)			12251-KEH-910	GASKET, CYLINDER HEAD .....	-	1	
(EXC. VALVE REFACING)		5	12271-383-000	RUBBER, OIL SEAL .....	1	1	
(TIDAK TERMASUK SKIR KLEP)							
(ADD MORE 0.2 IF PERFORMED.)		6	12331-KCJ-710	COVER, L. CYLINDERHEAD .....	1	1	
(TAMBAHKAN 0,2 LAGI JIKA DILAKSANAKAN)		7	12339-KCJ-710	GASKET, PULSE GENERATOR BASE	1	1	
GASKET, CYLINDER HEAD .....	*2.5	8	12361-383-000	CAP, TAPPET ADJUSTING HOLE .....	2	2	
COVER, L. CYLINDER HEAD .....	0.2	9	1621 O-KCT-690	INSULATOR, CARBURETOR .....	1	1	
INSULATOR, CARBURETOR .....	0.4	10	90001-GHB-700	BOLT, FLANGE, 6 X 35 .....	4	4	
BOLT, STUD, 7 X 35 .....	0.3						
(ADD 0.1 FOR EACH.)		11	90041 -KW1-900	BOLT, STUD, 7 X 35 .....	2	2	
(TAMBAHKAN 0,1 UNTUK MASING-MASING)		12	90442-028-000	WASHER, SEALING, 8MM .....	4	4	
FLUG, SPARK .....	0.1	13	90443-107-000	NUT, CAP, 8MM .....	4	4	
		14	91301-107-000	O-RING, 75 X 2.5 .....	1	1	
		15	91301-200-000	O-RING, 10 X 1.6 .....	2	2	
		16	91303-KK3-830	O-RING, 3.5 X 3 .....	2	2	
		17	91304-HB3-003	O-RING 33.5 X 3.0 .....	1	1	
		18	92912-06016-0B	BOLT 2, STUD, 6 X 16 .....	2	2	
		19	94050-06000	NUT, FLANGE, 6MM .....	2	2	
		20	94101-06000-00	WASHER, PLAIN, 6MM .....	1		
		21	94301-08140	PIN, DOWEL, 8 X 14 .....	2	2	
		22	9600 I-06022-00	BOLT, FLANGE, 6 X 22 .....	4	4	
		23	96700-06110-00	BOLT, SOCKET, 6 X 110 .....	1	1	

**C 2**

**E - I**  
Cylinder head

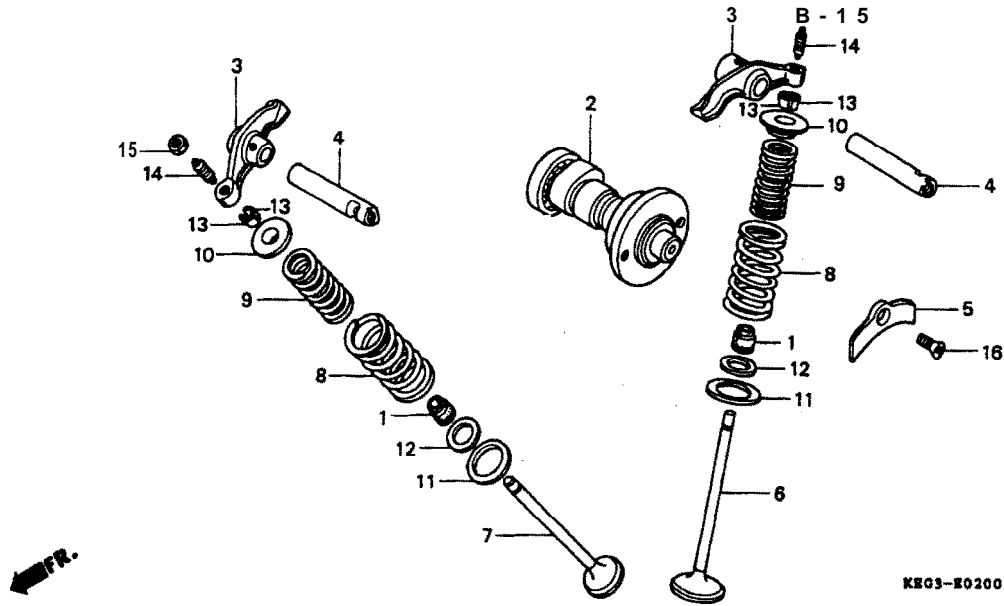


Service Item Bagian yang diservis	F.R.T.	Ref. No. Nomor petunjuk	Part No. Nomor Part	Description Nama - Part	Reqd.No. Jumlah GL Max II GL PRO II	Serial No. Nomor Serie	Notes Catatan
		24	98069-58921-03	PLUG, SPARK (X24EP-U9 ND).....	1 1		

**C 3**

**E - 2**

**Camshaft-Valve**



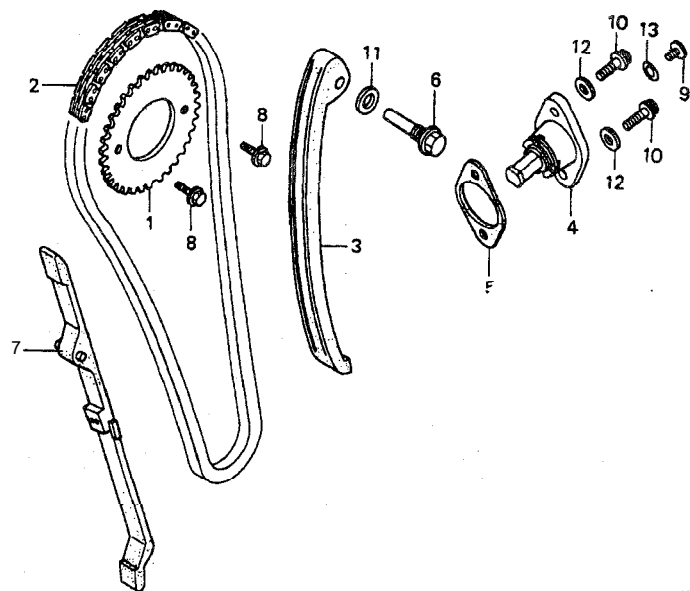
KEG3-K0200

Service item Bagian yang diservis	F.R.T.	Ref. No. Nomor petunjuk	Part No. Nomor Part	Description Nama - Part	Reqd.No. Jumlah (L. Max I L. GL. PRO II)	Serial No. Nomor Serie	Notes Catatan
CAMSHAFT COMP.....	'2.4	1	12208-413-003	SEAL, VALVE STEM .....	2 2		
ARM, VALVE ROCKER ADD 0.1 FOR EACH.)		2	14100-KEG-900	CAMSHAFTCOMP .....	1 -		
TAMBAHKAN 0,1 UNTUK MASING-MASING) NC. RELATIVE PART)		3	14431-KEH-900	CAMSHAFT COMP .....	- 1		
TERMASUK PART YANG BERHUBUNGAN)		4	14451-437-000	ARM, VALVE ROCKER .....	2 2		
VALVE.....	• 2.7	5	14456-KG2-950	SHAFT, VALVE ROCKER ARM .....	2 2		
ADD 0.2 FOR EACH.)				PLATE, VALVE ROCKER ARM SHAFT SETTING 1 1			
TAMBAHKAN 0.2 UNTUK MASING-MASING) NC. REFACING)		6	14711-KCM-000	VALVE, IN .....	1 -		
TERMASUK SKIR (KLEP)			14711-KBB-900	VALVE, IN.....	- 1		
(XC. VALVE GUIDE REPLACEMENT)		7	14721-KCM-000	VALVE, EX.....	1 -		
TIDAK TERMASUK PENGGANTIAN VALVE (GUIDE)			14721-KBB-900	VALVE, EX.....	- 1		
SPRING, VALVE.....	"2.6	6	14751-383-005	SPRING, VALVE OUTER (NIPPON)....	2 2		
ADD 0.1 FOR EACH.)		9	14761-383-005	SPRING, VALVE INNER (NIPPON)....	2 2		
TAMBAHKAN 0,1 UNTUK MASING-MASING) NC. RELATIVE PART)		10	14771-107-020	RETAINER, VALVE SPRING .....	2 2		
TERMASUK PART YANG BERHUBUNGAN)		11	14775-107-000	SEAT, VALVE SPRING OUTER .....	2 2		
		12	14776-107-010	SEAT, VALVE SPRING INNER .....	2 2		
		13	14781-MB4-000	COTTER, VALVE .....	4 4		
		14	90012-KN6-930	SCREW, TAPPET ADJUSTING .....	2 2		
		15	90206-250-000	NUT, TAPPET ADJUSTING .....	2 2		
		16	93600-06016-0A	SCREW, FLAT; 6 X 16 .....	1 1		

**C 4**

**E - 3**

Cam Chain-Tensioner



KEG3-E0300

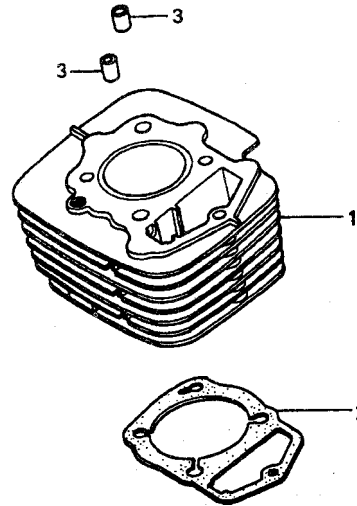
KEG3E0300

Service item Bagian yang diservis	F.R.T.	Ref. No. Nomor petunjuk	Part No. Nomor Part	Description Nama - Part	Reqd.No. Jumlah GL Max # GLPRO #	Serial No. Nomor Serie	Notes Catatan
SPROCKET, CAM.....	0.7	1	14321-KN6-930	SPROCKET, CAM . . . . .	1	-	
CHAIN, CAM .....	1.0		14321-KEH-900	SPROCKET, CAM . . . . .	-	1	
TENSIONER, CAM CHAIN .....	1.1	2	14401-KEH-931	CHAIN, CAM.....	1	1	
LIFTER ASSY., TENSIONER .....	0.4	3	14500-KW1-900	TENSIONER, CAM CHAIN . . . . .	1	1	
GUIDE, CAM CHAIN.....	*2.5	4	14520-KCT-691	LIFTERASSY., TENSIONER . . . . .	1	1	
		5	14523-KEH-910	GASKET, TENSIONER L I F T E R . . . . .	1	1	
		6	14535-437-000	BOLT, CAM CHAIN TENSIONER PIVOT . . . . .	1	1	
		7	14550-KCT-690	GUIDE, CAM CHAIN . . . . .	1	1	
		8	90002-KW1-900	BOLT, FLANGE, 6 X 10 . . . . .	2	2	
		9	90005-KY7-000	SCREW, PAN, 6 X 6 . . . . .	1	1	
		10	90071-MG8-000	BOLT, FLANGE SOCKET, 6 X 16 . . . . .	2	2	
		11	90475-703-000	WASHERC, 8MM . . . . .	1	1	
		12	90488-425-000	WASHER, SEALING, 6MM . . . . .	2	2	
		13	91306-MG3-000	O-RING, 1.5 X 9.5 . . . . .	1	1	

C 5

E 4

Cylinder



KEG3-BD400

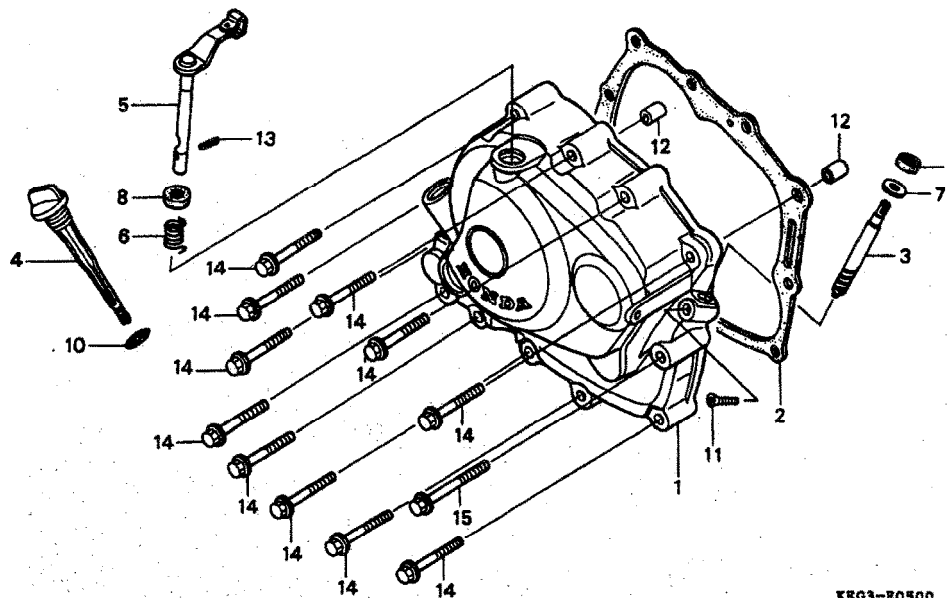
KEG3E114

Service item Bagian yang diservis	F.R.T.	Ref. No. Nomor	Part No. Nomor Part	Description Nama - Part	Reqd.No. Jumlah		Serial No. Nomor Serie	Notes Catatan
					GL Max II	GL PRO II		
CYLINDER COMP..... *2.6 . GASKET, CYLINDER		1	12100-KCM-000	CYLINDER COMP.....	1	-		
			12100-KEH-900	CYLINDER COMP...	-	1		
		2	12191-437-020	GASKET, CYLINDER..	1	1		
		3	94301-10200	PIN A, DOWEL, 10 x20	-	2		

C 6

E-5

Right crankcase cover



XBG3-80500

FR. →

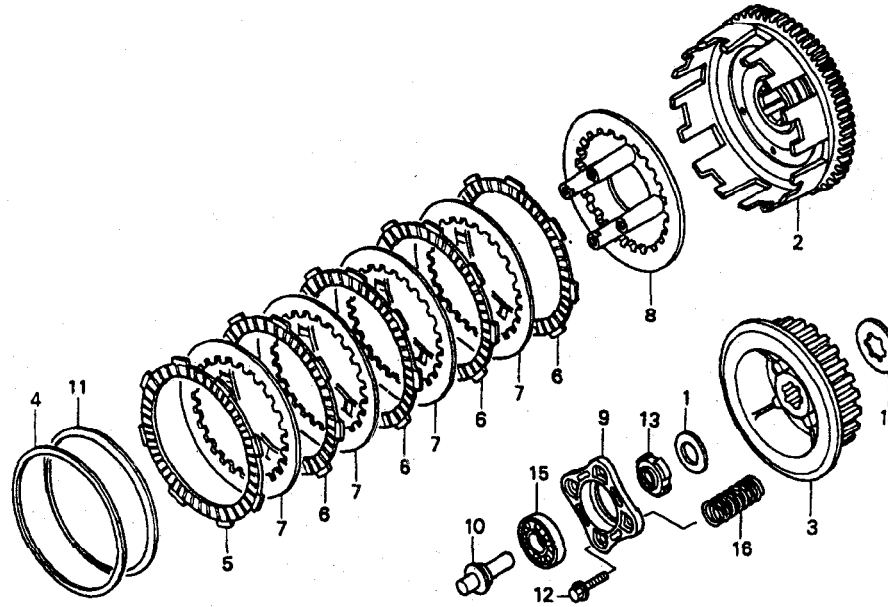
KEB06000

Service item Bagian yang diservis	F.R.T.	Ref. No. Nomor petunjuk	Part No. Nomor Part	Description Nama - Part	Reqd. No. Jumlah GL Max II GL PRO II	Serial No. Nomor Serie	Notes Catatan
COVER COMP., R. CRANKCASE.....	0.8	1	11330-KEH-900	COVER COMP., R. CRANKCASE.....	1 1		
GASKET, R. COVER.....	0.6	2	11393-KCJ-710	GASKET, R. COVER.....	1 1		
GEAR, TACHOMETER..... (INC. RELATIVE PART) (TERMASUK PART YANG BERHUBUNGAN)	0.7	3	12431-KC6-000	GEAR, TACHOMETER.....	1 -		
LEVER COMP., CLUTCH (INC. RELATIVE PART) (TERMASUK PART YANG BERHUBUNGAN)		4	15650-KEH-900	GAUGE, OIL LEVEL.....	1 4		
		5	22810-437-000	LEVER COMP., CLUTCH.....	1 1		
		6	22815-428-000	SPRING, CLUTCH LEVER . . . . .	1 1		
		7	90458-324-010	WASHER, THRUST, 6.7MM.....	1 1		
		8	91201-KEH-900	OIL SEAL, 12X22x5.....	1 1		
		9	91201-324-023	OIL SEAL, 6.5X14.5X7.....	1 1		
		10	91307-035-000	O-RING, 18X3.....	1 1		
		11	93700-05025-0A	SCREW, OVAL, 5X25.....	1 1		
		12	9430108140	PIN, DOWEL, 8X14.....	2 2		
		13	94305-30102	PIN, SPRING, 3X10.....	1 1		
		14	96001-06040-00	BOLT, FLANGE, 6X40.....	11 11		
		15	96001-06050-00	BOLT, FLANGE, 6X50.....	1 1		

C 7

E - 6

Clutch



KEG3-E0600



KEGJE1111

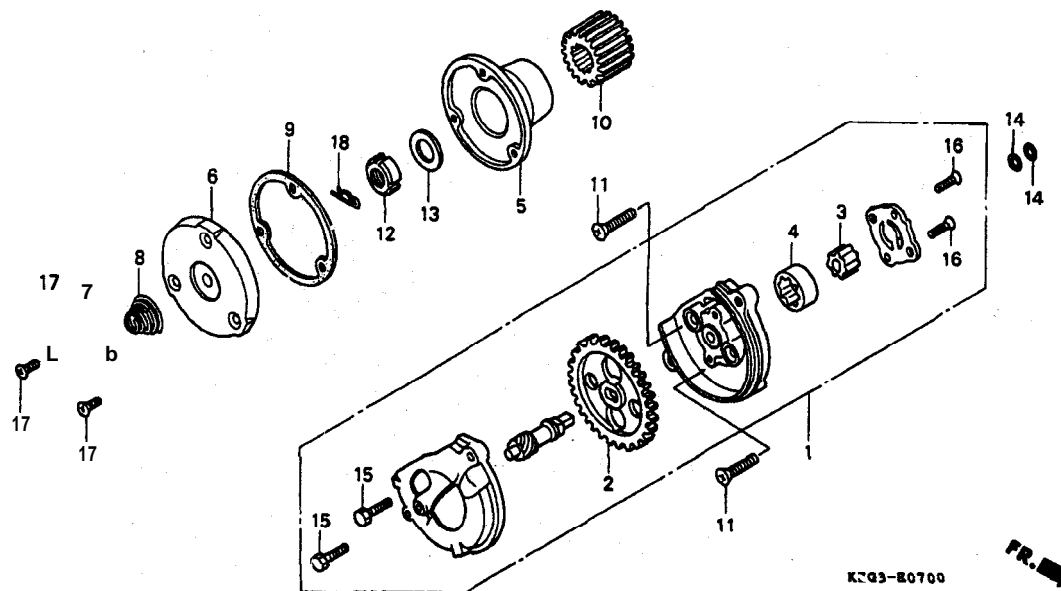
Service item Bagian yang diservis	F.R.T.	Ref. No. Nomor	Part No. Nomor Part	Description Nama - Part	Reqd.No. Jumlah GL Max    GL PRO	Serial No. Nomor Serie	Notes Catatan
OUTER COMP., CLUTCH.....	0.8	1	15451-107-000	WASHER, OIL FILTER ROTOR LOCKING	1 1		
CENTER COMP., CLUTCH DISK, CLUTCH FRICTION (INC. RELATIVE PART)		2	22100-KCS-650 22100-KEH-900	OUTER COMP., CLUTCH..... OUTER COMP., CLUTCH.....	1 - 1 1		
<b>(TERMASUK PART YANG BERHUBUNGAN)</b>		3	22121-KB5-720	CENTER COMP., CLUTCH.....	1 1		
<b>(SAME TIME FOR TWO UNITS OR MORE)</b>		4	22125-KW7-900	SEAT, JUDDER SPRING.....	1 1		
<b>(WAKTU SAMA UNTUK DUA UNIT ATAU LEBIH)</b>		5	22201-MJ8-000	DISK, CLUTCH FRICTION.....	1 1		
PLATE, CLUTCH PRESSURE		6	22201-166-000	DISK, CLUTCH FRICTION.....	4 4		
PLATE, CLUTCH LIFTER.....	0.7	7	2231 I-107-000	PLATE, CLUTCH.....	4 4		
SPRING, CLUTCH		6	22350-107-010	PLATE, CLUTCH PRESSURE.....	1 1		
<b>(SAME TIME FOR TWO UNITS OR MORE)</b>		9	22361-437-000	PLATE, CLUTCH LIFTER.....	1 1		
<b>(WAKTU SAMA UNTUK DUA UNIT ATAU LEBIH)</b>		10	22366-KCN-000	ROD, CLUTCH LIFTER.....	1 1		
ROD, CLUTCH LIFTER.....	0.6	11	22402-KW7-900	SPRING, JUDDER.....	1 1		
		12	90050-357-000	BOLT, SPECIAL FLANGE, 6X22.....	4 4		
		13	90231-KB5-720	NUT, LOCK, 16MM.....	1 1		
		14	90461-KB5-720	WASHER, SPLINE, 20MM.....	1 1		
		15	91002-KN6-932	BEARING, RADIAL BALL.....	1 1		
		16	95014-75110	SPRING 11, CLUTCH.....	4 4		



C 8

E - 7

Oil pump



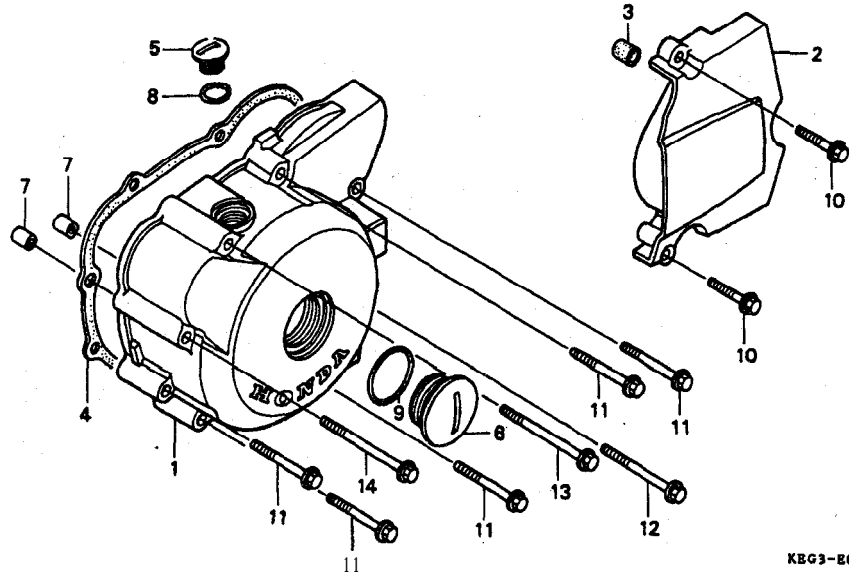
KEB3E110

Service item Bagian yang diservis	F.R.T.	Ref. No. Nomor petunjuk	Part No. Nomor Part	Description Nama - Part	Reqd.No. Jumlah Gl. Max II GL PRO II	Serial No. Nomor Serie	Notes Catatan
PUMP ASSY., OIL INC. RELATIVE PART) TERMASUK PART YANG BERHUBUNGAN)	0.7	1	15100-KEG-900	OIL PUMP ASSY	1	-	
			151 00-KEH-900	OIL PUMP ASSY	-	1	
ROTOR COMP., OIL FILTER		2	15131-KEG-900	GEAR, OIL PUMP DRIVE (39T)	1	-	
GEAR, PRIMARY DRIVE			15131-KEH-900	GEAR, OIL PUMP DRIVE (37T)	-	1	
GEAR, OIL PUMP DRIVE	0.6	3	15331-399-000	ROTOR, OIL PUMP INNER (YAMADA)	1	1	
		4	15332-399-000	ROTOR, OIL PUMP OUTER (YAMADA)	1	1	
		5	15430-440-030	ROTOR COMP., OIL FILTER	1	1	
		6	15436-1 07-000	CAP, OIL FILTER ROTOR	1	1	
		7	15441 -KCS-650	THROUGH, OIL	1	1	
		a	15446-1 07-000	SPRING, OIL THROUGH	1	1	
		9	15459-1 07-000	GASKET, OIL FILTER ROTOR CAP	1	1	
		10	23121-KCS-650	GEAR, PRIMARY DRIVE ( 19 T)	1	-	
			23121-KEH-900	GEAR, PRIMARY DRIVE ( 21 T)	-	1	
		11	90101-440-000	SCREW, FLAT, 6X30	2	2	
		12	90231-KCS-651	NUT, LOCK, 16MM	1	1	
		13	90434-KN6-930	WASHER, 16MM	1	1	
		14	91304-KK3-830	O-RING, 9.4X2.4	2	2	
		15	92101-05020-0H	BOLT, HEX., 5X20	2	-	
			92101-05020-0A	BOLT, HEX., 5X20	-	2	
		16	93600-04012-1A	SCREW, FLAT, 4X12	2	2	
		17	93700-05012-0A	SCREW, OVAL, 5X12	3	3	
		18	94251-08000	PIN, LOCK, 8MM	1	1	

C 9

E - 8

Left crankcase cover



KEG3-B0800

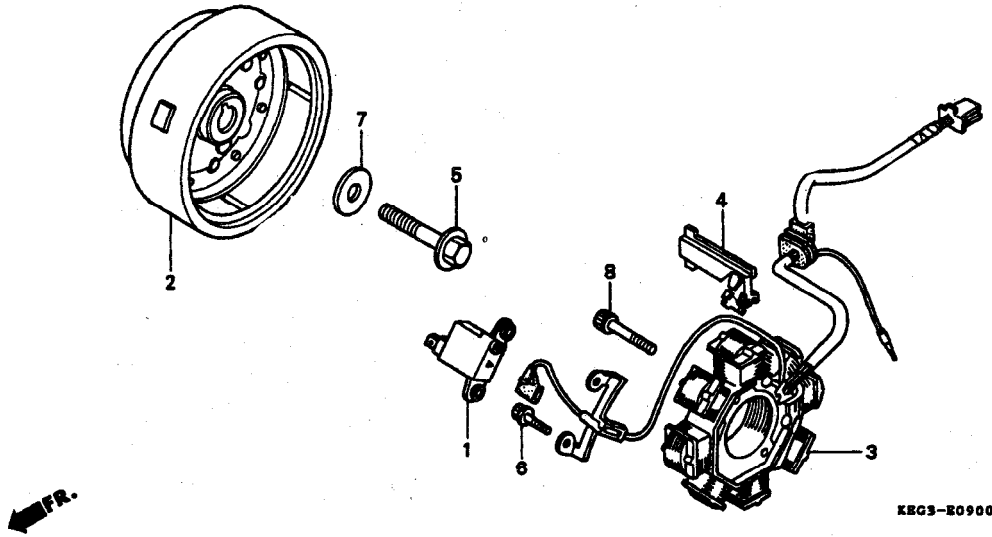
KEG3110

Service item Bagian yang diservis	F.R.T.	Ref. No. Nomor	Part No. Nomor Part	Description Nama - Part	Reqd.No. Jumlah GL Max & GL PRO II	Serial No. Nomor Serie	Notes Catatan
COVER, L. CRANKCASE.....	0.3	1	11341-KEH-900	COVER, L. CRANKCASE.....	1 1		
COVER, L. RR. CRANKCASE.....	0.1	2	11361-KEH-900	COVER, L. RR. CRANKCASE.....	1 1		
GASKET, L. COVER.....	0.2	3	11363-437-620	RUBBER, RR. COVER MOUNTING.....	1 1		
		4	11395KCJ-710	GASKET, L. COVER.....	1 1		
		5	90084-KCJ-710	CAP, A.C. GENERATOR.....	1 1		
		6	90087- KCJ-710	CAP, 30MM.....	1 1		
		7	90703-HC4-000	PIN, DOWEL, 10X14.....	2 2		
		8	91303-377-000	O-RING, 13.8X2.5.....	1 1		
		9	91356-425-003	O-RING, 29.7X2.4 (NOK).....	1 1		
		10	96001-06025-00	BOLT, FLANGE, 6X25.....	2 2		
		11	9600 I-06040-00	BOLT, FLANGE, 6X40.....	5 5		
		12	96001-06050-00	BOLT, FLANGE, 6X50.....	1 1		
		13	96001-06060-00	BOLT, FLANGE, 6X60.....	1 1		
		14	96001-06070-00	BOLT, FLANGE, 6X70.....	1 1		

# C 10

## E - Q

### Generator



KEG3-R0900

Service item Bagian yang diservis	F.R.T.	Ref. No. Nomor	Part No. Nomor Part	Description Nama - Part	Reqd.No. Jumlah	Serial No. Nomor Serie	Notes Catatan
IGNITION PULSE GENERATOR COMP .....	0.3	1	30300-HA0-033	IGNITION PULSE GENERATOR COMP. (TEC)	1	1	
FLYWHEEL COMP.		2	31110-KEG-901	FLYWHEELCCMP .....	1	-	
STATOR COMP .....	0.4	3	31120-KEH-901	FLYWHEELCCMP .....	-	1	
		4	32975-KEH-900	STATORCCMP .....	1	1	
		5	90003-MN4-000	GUIDE, AC. GENERATOR CORD.....	1	1	
		6	90064KAS-900	BOLT, FLANGE, 10X35.....	1	1	
		7	90403-KN6-930	BOLT, FLANGE SOCKET, 5X14.....	2	2	
		8	96600-06022-00	WASHER, 10x24.....	1	1	
				BOLT, SOCKET, 6X22.....	2	2	



















