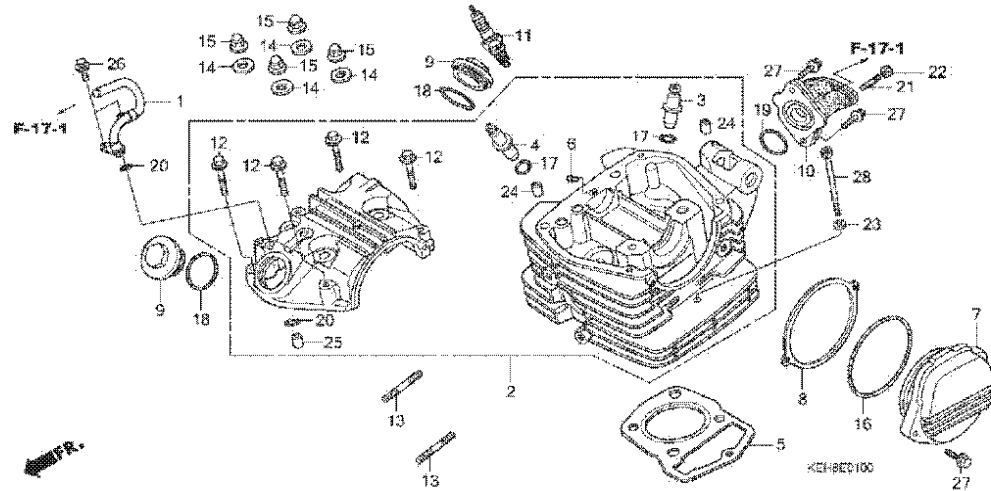


E - 1

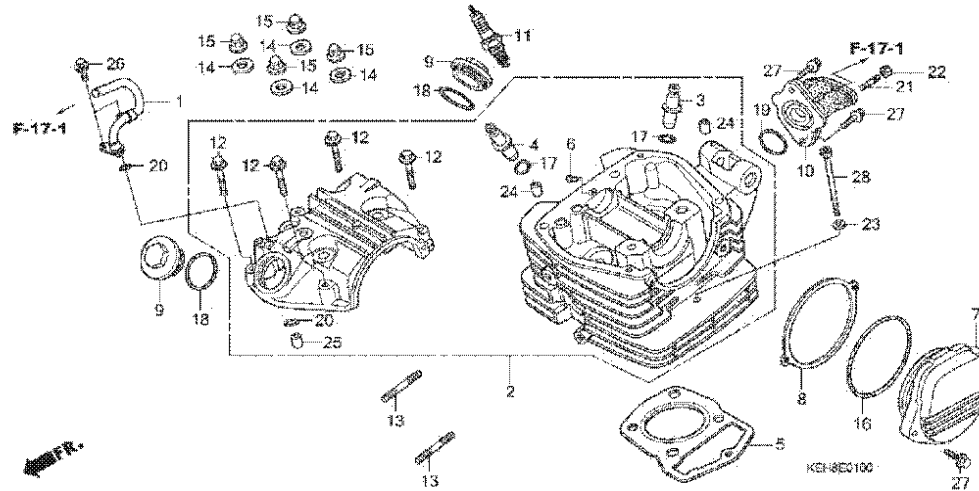
Cylinder Head Cover



Bagian yang diservice	F.R.T.	Nomor Petunjuk	Nomor Part	Uraian Part	Jumlah	Nomor Serie	Catatan
PIPE, SECONDARY AIR.....	0.1	1	11105-KEH-600	PIPE COMP., AIR SUCTION	1		
HEAD, CYLINDER	3.5	2	12000-KEH-600	HEAD ASSY., CYLINDER	1		
.INCLUDES: ENGINE REMOVAL AND INSTALLATION		3	12204-439-970	GUIDE, IN. VALVE (OS)	1		
.INCLUDES: VALVE CLEARANCE ADJUSTMENT AND REFACE		4	12206-KCN-300	GUIDE, EX. VALVE (OS)	1		
.INCLUDES: VALVE CLEARANCE ADJUSTMENT AND REFACE		5	12251-KPK-941	GASKET, CYLINDER HEAD	1		
GUIDE, INTAKE VALVE(ONE).....	3.5	6	12271-383-000	RUBBER, OIL SEAL	1		
.INCLUDES: ENGINE REMOVAL AND INSTALLATION		7	12331-KCJ-710	COVER, L. CYLINDER HEAD	1		
.INCLUDES: REAMING		8	12339-KT0-710	GASKET, PULSE GENERATOR BASE	1		
.INCLUDES: VALVE CLEARANCE ADJUSTMENT AND REFACE		9	12361-383-000	CAP, TAPPET ADJUSTING HOLE	2		
.INCLUDES: VALVE CLEARANCE ADJUSTMENT AND REFACE		10	16210-KEH-600	INSULATOR, CARBURETOR	1		
GUIDE, VALVE : FOR 1 VEHICLE	3.8	11	98069-58911-03	PLUG, SPARK	1		
.INCLUDES: ENGINE REMOVAL AND INSTALLATION		12	90004-GHB-700	BOLT, FLANGE, 6X35	4		
.INCLUDES: REAMING		13	90041-KW1-900	BOLT, STUD, 7X35	2		
.INCLUDES: VALVE CLEARANCE ADJUSTMENT AND REFACE		14	90442-028-000	WASHER, SEALING, 8MM	4		
.INCLUDES: VALVE CLEARANCE ADJUSTMENT AND REFACE		15	90443-107-000	NUT, CAP, 8MM	4		
GUIDE, EXHAUST VALVE(ONE)	3.5	16	91301-KFN-900	O-RING, 75X2.5	1		
.INCLUDES: ENGINE REMOVAL AND INSTALLATION		17	91301-200-000	O-RING, 10X1.6	2		
.INCLUDES: REAMING		18	91303-KK3-831	O-RING, 35X3	2		
		19	91304-HB3-004	O-RING, 33.5X3.0	1		
		20	91305-KPN-900	O-RING, 9.8X1.9	2		
		21	92912-06016-0B	BOLT, STUD, 6X16	2		
		22	94050-06000	NUT, FLANGE, 6MM	2		
		23	94101-06000	WASHER, PLAIN, 6MM	1		
		24	94301-08140	DOWEL PIN, 8X14	2		
		25	94301-10120	DOWEL PIN, 10X12	1		

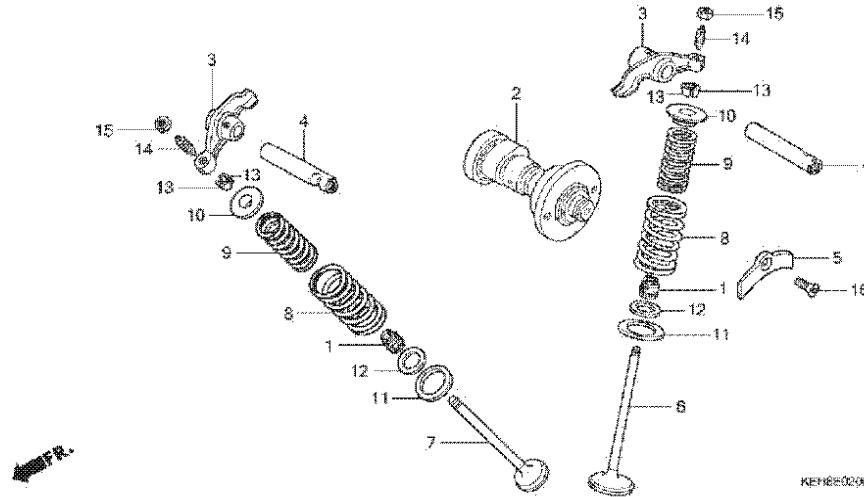
06.2006

E - 1 Cylinder Head



Bagian yang diservice	F.R.T.	Nomor Petunjuk	Nomor Part	Uraian Part	Jumlah	Nomor Serie	Catatan
.INCLUDES: VALVE CLEARANCE ADJUSTMENT AND REFACE GUIDE, VALVE :FOR 1 VEHICLE	3.8	26	96001-06016-00	BOLT, FLANGE, 6X16	2		
.INCLUDES: ENGINE REMOVAL AND INSTALLATION .INCLUDES: REAMING .INCLUDES: VALVE CLEARANCE ADJUSTMENT AND REFACE GASKET, CYLINDER HEAD	2.7	27	96001-06022-00	BOLT, FLANGE, 6X22	4		
.INCLUDES: ENGINE REMOVAL AND INSTALLATION COVER, CYLINDER HEAD SIDE : LEFT	0.2	28	96700-06110-00	BOLT, SOCKET, 6X110	1		
INSULATOR, THROTTLE BODY/ CARBURETOR	0.4						
PLUG, SPARK.....	0.1						

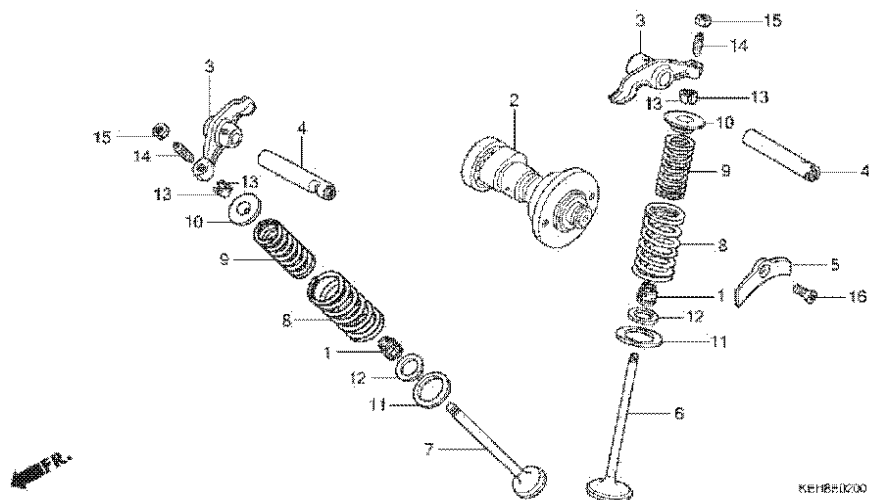
E - 2 Camshaft / Valve



Bagian yang diservice	F.R.T.	Nomor Petunjuk	Nomor Part	Uraian Part	Jumlah	Nomor Serie	Catatan
CAMSHAFT	2.6	1	12208-413-003	SEAL, VALVE STEM	2		
.INCLUDES: VALVE CLEARANCE ADJUSTMENT		2	14100-KEH-660	CAMSHAFT COMP	1		
.INCLUDES: ENGINE REMOVAL AND INSTALLATION		3	14431-KEH-900	ARM, VALVE ROCKER	2		
ARM, INTAKE VALVE ROCKER (ONE)	2.5	4	14451-437-000	SHAFT, VALVE ROCKER ARM	2		
.INCLUDES: ENGINE REMOVAL AND INSTALLATION		5	14456-KG2-950	PLATE, VALVE ROCKER ARM SHAFT SETTING	1		
.INCLUDES: VALVE CLEARANCE ADJUSTMENT		6	14711-KBB-900	VALVE, IN	1		
ARM, EXHAUST VALVE ROCKER (ONE)	2.5	7	14721-KBB-900	VALVE, EX	1		
.INCLUDES: ENGINE REMOVAL AND INSTALLATION		8	14751-383-005	SPRING, VALVE OUTER	2		
.INCLUDES: VALVE CLEARANCE ADJUSTMENT		9	14761-383-005	SPRING, VALVE INNER	2		
ARM, VALVE ROCKER : FOR 1 VEHICLE	2.5	10	14771-107-020	RETAINER, VALVE SPRING	2		
.INCLUDES: ENGINE REMOVAL AND INSTALLATION		11	14775-107-000	SEAT, VALVE SPRING OUTER	2		
.INCLUDES: VALVE CLEARANCE ADJUSTMENT		12	14776-107-010	SEAT, VALVE SPRING INNER	2		
ARM, VALVE ROCKER : FOR 1 VEHICLE	2.5	13	14781-HA0-770	COTTER, VALVE	4		
.INCLUDES: ENGINE REMOVAL AND INSTALLATION		14	90012-KN6-930	SCREW, TAPPET ADJUSTING	2		
.INCLUDES: VALVE CLEARANCE ADJUSTMENT		15	90206-250-000	NUT, TAPPET ADJUSTING	2		
VALVE, INTAKE(ONE)	3.0	16	93600-06016-0A	SCREW, FLAT, 6X16	1		
.INCLUDES: ENGINE REMOVAL AND INSTALLATION							
.INCLUDES: REFACING							
.EXCLUDES VALVE GUIDE REPLACEMENT							
VALVE : FOR 1 VEHICLE	3.2						

06.2006

E - 2 Camshaft / Valve



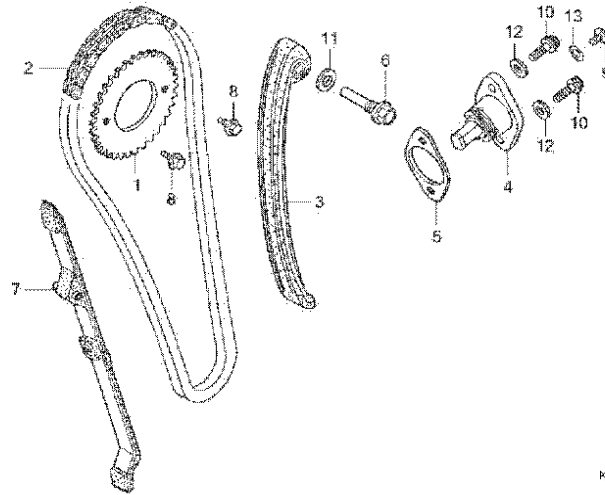
KER16R0200

Bagian yang diservice	F.R.T.	Nomor Petunjuk	Nomor Part	Uraian Part	Jumlah	Nomor Serie	Catatan
.INCLUDES: ENGINE REMOVAL AND INSTALLATION .INCLUDES: REFACEING .EXCLUDES: VALVE GUIDE REPLACEMENT VALVE, EXHAUST(ONE) 3.0 .INCLUDES: ENGINE REMOVAL AND INSTALLATION .INCLUDES: REFACEING .EXCLUDES: VALVE GUIDE REPLACEMENT VALVE :FOR 1 VEHICLE 3.2 .INCLUDES: ENGINE REMOVAL AND INSTALLATION .INCLUDES: REFACEING .EXCLUDES: VALVE GUIDE REPLACEMENT SPRING AND/OR STEM SEAL, INTAKE VALVE(ONE) 2.8 .INCLUDES: ENGINE REMOVAL AND INSTALLATION SPRING AND/OR STEM SEAL, EXHAUST VALVE (ONE)2.8 .INCLUDES: ENGINE REMOVAL AND INSTALLATION SPRING AND/OR STEM SEAL, VALVE :FOR 1 VEHICLE 2.9 .INCLUDES: ENGINE REMOVAL AND INSTALLATION							

08.2006

E - 3

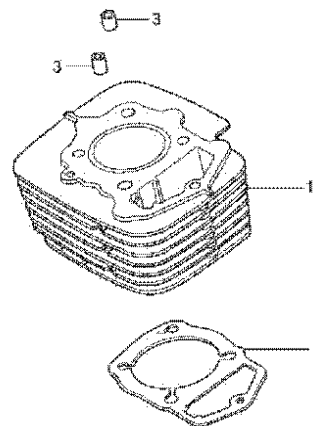
Can Chain/Tensioner



Bagian yang diservice	F.R.T.	Nomor Petunjuk	Nomor Part	Uraian Part	Jumlah	Nomor Serie	Catatan
SPROCKET, CAM	0.7	1	14321-KEH-900	SPROCKET, CAM (34T)	1		
CHAIN, CAM	1.5	2	14401-KEH-901	CHAIN, CAM (100L)	1		
TENSIONER, CAM CHAIN	1.6	3	14500-KW1-900	TENSIONER, CAM CHAIN	1		
LIFTER, TENSIONER	0.4	4	14520-RFB-8410	LIFTER ASSY., TENSIONER	1		
GUIDE, CAM CHAIN	2.7	5	14523-KBB-961	GASKET, TENSIONER LIFTER	1		
.INCLUDES: ENGINE REMOVAL AND INSTALLATION		6	14535-437-000	BOLT, CAM CHAIN TENSIONER PIVOT	1		
		7	14550-RCT-6901	GUIDE, CAM CHAIN	1		
		8	90002-KW1-900	BOLT, FLANGE, 6X10	2		
		9	90005-KY7-000	SCREW, PAN, 6X6	1		
		10	90071-MG8-000	BOLT, FLANGE SOCKET, 6X16	2		
		11	90475-703-000	WASHER C, 8MM	1		
		12	90488-425-000	WASHER, SEALING, 6MM	2		
		13	91306-MG3-000	O-RING, 9.5X1.5	1		

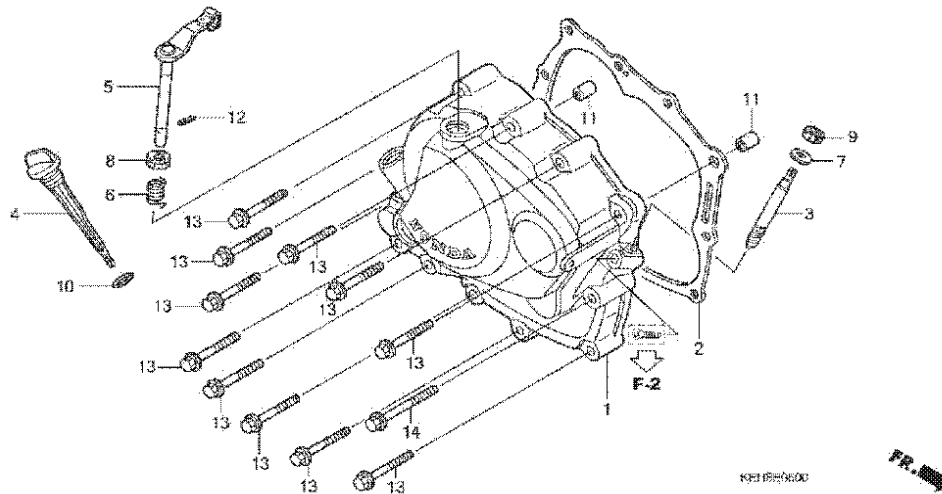
06.2006

E - 4 Cylinder



Bagian yang diservice	F.R.T.	Nomor Petunjuk	Nomor Part	Uraian Part	Jumlah	Nomor Serie	Catatan
CYLINDER	3.0	1	12100-KEH-900	CYLINDER COMP.	1		
.INCLUDES: ENGINE REMOVAL AND INSTALLATION		2	12191-KCN-000	GASKET, CYLINDER	1		
GASKET, CYLINDER	2.9	3	94301-10200	DOWEL PIN, 10X20	2		
.INCLUDES: ENGINE REMOVAL AND INSTALLATION							

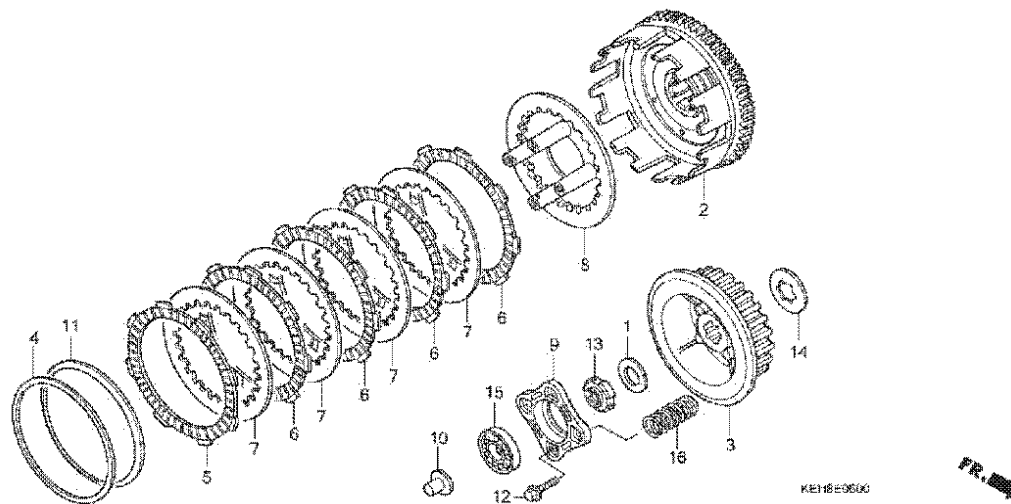
E - 5 Right Crankcase Cover



Bagian yang diservice	F.R.T.	Nomor Petunjuk	Nomor Part	Uraian Part	Jumlah	Nomor Serie	Catatan
COVER, CRANKCASE :RIGHT	0.8	1	11330-KEH-660	COVER COMP., R. CRANKCASE	1		
GASKET, CRANKCASE COVER RIGHT	0.7	2	11393-KCN-000	GASKET, R. COVER	1		
GEAR, TACHOMETER	0.8	3	12431-KG2-000	GEAR, TACHOMETER	1		
LEVER, CLUTCH	0.8	4	15850-KEH-900	GAUGE, OIL LEVEL	1		
		5	22810-437-000	LEVER COMP., CLUTCH	1		
		6	22815-428-001	SPRING, CLUTCH LEVER	1		
		7	90458-324-010	WASHER, THRUST, 6.7MM	1		
		8	91201-148-8004	OIL SEAL, 12X22X5	1		1
		9	91202-KCS-920	OIL SEAL, 6.5X14.5X7	1		
		10	91307-035-002	O-RING, 18X3	1		
		11	94301-08140	DOWEL PIN, 8X14	2		
		12	94305-30102	PIN, SPRING, 3X10	1		
		13	96001-06040-00	BOLT, FLANGE, 6X40	11		
		14	96001-06050-00	BOLT, FLANGE, 6X50	1		

06.2006

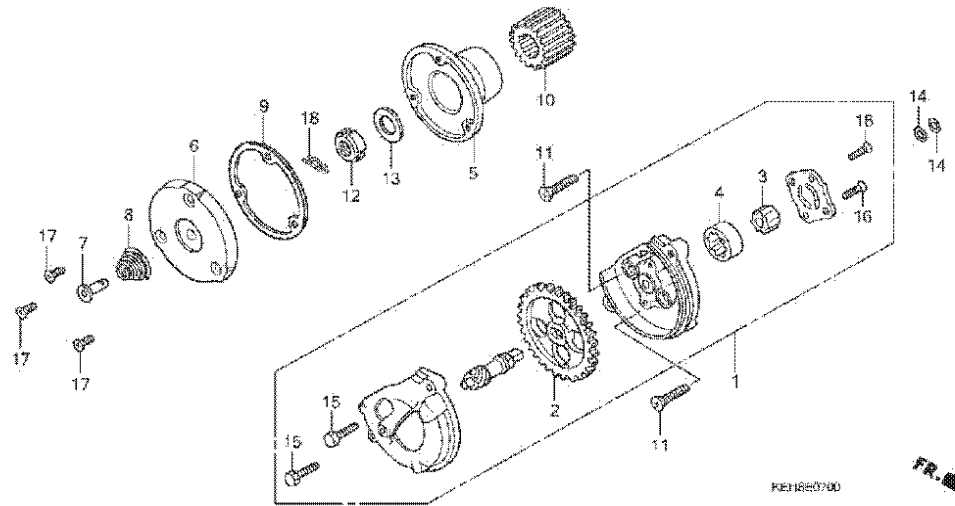
E - 6 Clutch



Bagian yang diservice	F.R.T.	Nomor Petunjuk	Nomor Part	Uraian Part	Jumlah	Nomor Serie	Catatan
OUTER, CLUTCH	1.1	1	15451-107-000	WASHER, OIL FILTER ROTOR LOCKING	1		
CENTER, CLUTCH	1.1	2	22100-KEH-901	OUTER COMP., CLUTCH	1		
DISC, CLUTCH FRICTION	1.1	3	22121-KB5-721	CENTER COMP., CLUTCH	1		
.NOTE: SAME TIME FOR TWO UNITS OR MORE		4	22125-KW7-901	SEAT, JUDDER SPRING	1		
PLATE, CLUTCH PRESSURE.....	1.1	5	22201-MJ8-001	DISK, CLUTCH FRICTION	1		
PLATE, CLUTCH LIFTER	0.8	6	22201-107-001	DISK, CLUTCH FRICTION	4		
ROD, CLUTCH LIFTER	0.7	7	22311-KN4-681	PLATE, CLUTCH	4		
BEARING, CLUTCH LIFTER	0.7	8	22350-107-011	PLATE, CLUTCH PRESSURE	1		
SPRING, CLUTCH	0.8	9	22361-437-001	PLATE, CLUTCH LIFTER	1		
.NOTE: SAME TIME FOR TWO UNITS OR MORE		10	22366-KFB-000	ROD, CLUTCH LIFTER	1		
		11	22402-KW7-901	SPRING, JUDDER	1		
		12	90050-357-000	BOLT, SPECIAL FLANGE, 6X22	4		
		13	90232-KPK-940	NUT, LOCK, 16MM	1		
		14	90461-KB5-720	WASHER, SPLINE, 20MM	1		
		15	91008-KK6-013	BEARING, RADIAL BALL, 16003	1		
		16	95014-75110	SPRING, CLUTCH (11)	4		

06.2006

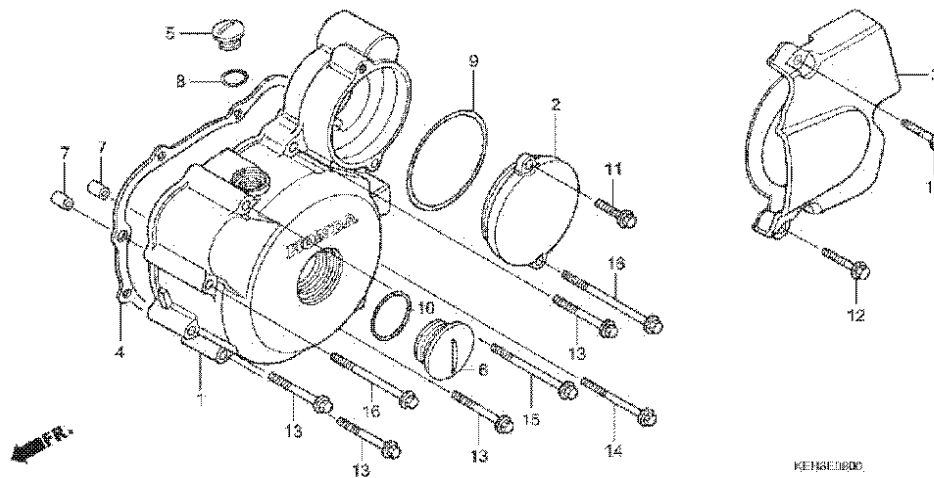
E - 7 Oil Pump



Bagian yang diservice	F.R.T.	Nomor Petunjuk	Nomor Part	Uraian Part	Jumlah	Nomor Serie	Catatan
PUMP ASSY., OIL	0.9	1	15100-KEH-901	OIL PUMP ASSY.	1		
GEAR, OIL PUMP DRIVE	0.8	2	15131-KEH-900	GEAR, OIL PUMP DRIVE (37T)	1		
ROTOR, OIL PUMP	1.0	3	15331-399-000	ROTOR, OIL PUMP INNER	1		
. NOTE: SAME TIME FOR TWO UNITS		4	15332-399-000	ROTOR, OIL PUMP OUTER	1		
ROTOR, OIL FILTER	0.9	5	15430-440-030	ROTOR COMP., OIL FILTER	1		
CAP, OIL FILTER ROTOR	0.8	6	15436-107-000	CAP, OIL FILTER ROTOR	1		
GEAR, PRIMARY DRIVE	1.1	7	15441-KCS-650	THROUGH, OIL	1		
		8	15446-107-001	SPRING, OIL THROUGH	1		
		9	15459-KT0-710	GASKET, OIL FILTER CAP	1		
		10	23121-KEH-900	GEAR, PRIMARY DRIVE (21T)	1		
		11	90101-440-000	SCREW, FLAT, 6X30	2		
		12	90231-KPK-940	NUT, LOCK, 16MM	1		
		13	90434-KN6-930	WASHER, 16MM	1		
		14	91304-KK3-830	O-RING, 9.4X2.4	2		
		15	92101-05020-0B	BOLT, HEX., 5X20	2		
		16	93600-04012-1A	SCREW, FLAT, 4X12	2		
		17	93700-05012-0A	SCREW, OVAL, 5X12	3		
		18	94251-08000	PIN, LOCK, 8MM	1		

06.2006

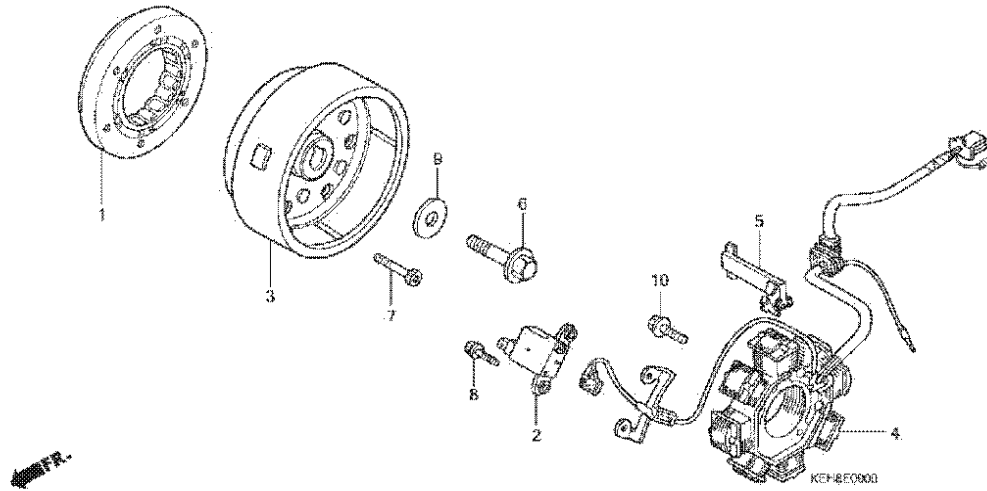
E - 8 Left Crankcase Cover



Bagian yang diservice	F.R.T.	Nomor Petunjuk	Nomor Part	Uraian Part	Jumlah	Nomor Serie	Catatan
COVER, CRANKCASE : LEFT.....	0.7	1	11341-KEH-663	COVER, L. CRANKCASE	1		
COVER, REDUCTION GEAR	0.1	2	11355-KCN-000	COVER, REDUCTION GEAR	1		
COVER, CRANKCASE : LEFT REAR... 0.1		3	11360-KEH-600	COVER COMP., L. RR. CRANKCASE	1		
GASKET, CRANKCASE COVER : LEFT.....	0.5	4	11395-KCN-001	GASKET, L. COVER	1		
		5	90084-KCJ-710	CAP, A.C. GENERATOR	1		
		6	90087-KCJ-710	CAP, 30MM	1		
		7	94301-110-140	DOWEL PIN, 10X14	2		
		8	91303-377-001	O-RING, 13.8X2.5	1		
		9	91304-MN5-004	O-RING, 63X3(ARAI)	1		
		10	91356-425-004	O-RING, 30MM	1		
		11	96001-06020-00	BOLT, FLANGE, 6X20	1		
		12	96001-06025-00	BOLT, FLANGE, 6X25	2		
		13	96001-06040-00	BOLT, FLANGE, 6X40	4		
		14	96001-06050-00	BOLT, FLANGE, 6X50	1		
		15	96001-06060-00	BOLT, FLANGE, 6X60	1		
		16	96001-06070-00	BOLT, FLANGE, 6X70	2		

06.2006

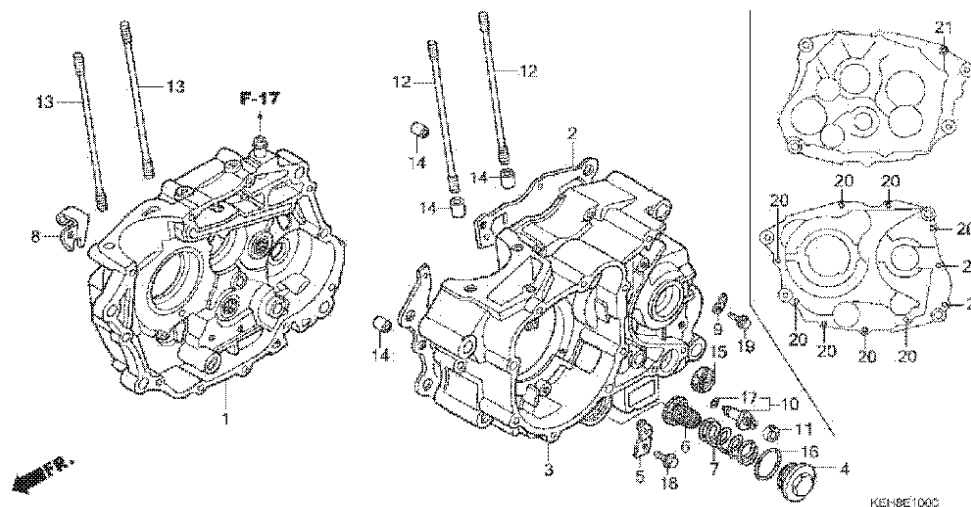
E - 9 Generator



Bagian yang diservice	F.R.T.	Nomor Petunjuk	Nomor Part	Uraian Part	Jumlah	Nomor Serie	Catatan
CLUTCH, STARTING ONE WAY	0.8	1	28125-KFC-791	OUTER COMP., STARTING CLUTCH	1		
GENERATOR, IGNITION PULSE	0.6	2	30300-HA0-034	IGNITION PULSE GENERATOR ASSY.	1		
ROTOR OR FLYWHEEL	0.8	3	31110-KEH-601	FLYWHEEL COMP.	1		
STATOR	0.7	4	31120-KEH-601	STATOR COMP.	1		
		5	32975-KEH-900	GUIDE, A.C. GENERATOR CORD	1		
		6	90003-MN4-000	BOLT, FLANGE, 10X35	1		
		7	90085-413-781	BOLT, SOCKET, 6MM	6		
		8	90089-KAS-900	BOLT, FLANGE SOCKET, 5X14	2		
		9	90403-KN6-930	WASHER, 10X24	1		
		10	96001-06022-00	BOLT, FLANGE, 6X22	2		

06.2006

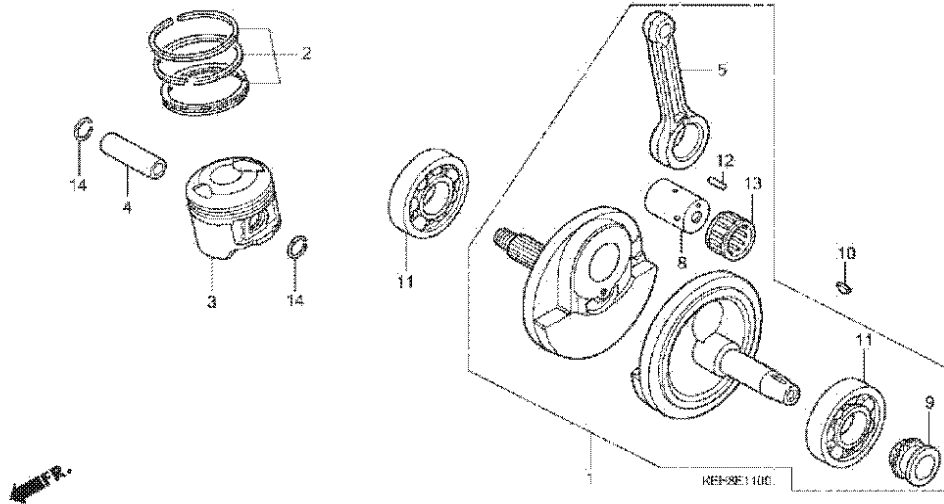
E - 10 Crankcase



Bagian yang diservice	F.R.T.	Nomor Petunjuk	Nomor Part	Uraian Part	Jumlah	Nomor Serie	Catatan
CRANKCASE :RIGHT	5.3	1	11100-KCJ-711	CRANKCASE COMP., R.	1		
.INCLUDES: ENGINE REMOVAL AND INSTALLATION		2	11191-KCN-000	GASKET, CRANKCASE	1		
CRANKCASE :BOTH	5.8	3	11200-KCJ-711	CRANKCASE COMP., L.	1		
.INCLUDES: ENGINE REMOVAL AND INSTALLATION		4	12361-383-000	CAP, TAPPET ADJUSTING HOLE	1		
GASKET, CRANKCASE	4.3	5	14513-KBB-900	PLATE, CAM CHAIN SETTING	1		
.INCLUDES: ENGINE REMOVAL AND INSTALLATION		6	15421-107-000	SCREEN, OIL FILTER•	1		
CRANKCASE :LEFT	5.0	7	15426-107-000	SPRING, OIL FILTER SCREEN	1		
.INCLUDES: ENGINE REMOVAL AND INSTALLATION		8	22838-437-000	HOLDER, CLUTCH WIRE	1		
CRANKCASE :BOTH	5.8	9	32976-KCT-690	CLAMPER, WIRE HARNESS	1		
.INCLUDES: ENGINE REMOVAL AND INSTALLATION		10	35750-GS3-004	CONTACT, NEUTRAL SWITCH	1		
SCREEN, OIL FILTER	0.1	11	35752-KCT-690	SFACER, NEUTRAL SWITCH	1		
SWITCH, NEUTRAL	0.2	12	90031-KFB-000	BOLT, CYLINDER STUD (A)	2		
		13	90031-107-010	BOLT A, CYLINDER STUD	2		
		14	99430-110-140	DOWEL PIN, 10X14	4		
		15	91206-286-0130	OIL SEAL, 14X28X7	1		
		16	91303-KK3-831	O-RING, 35X3(ARAI)	1		
		17	91312-107-000	O-RING, 7X1.7	1		
		18	95701-06012-08	BOLT, FLANGE, 6X12	1		
		19	96001-06014-00	BOLT, FLANGE, 6X14	1		
		20	96001-06050-00	BOLT, FLANGE, 6X50	10		
		21	96001-06060-00	BOLT, FLANGE, 6X60	1		

06.2006

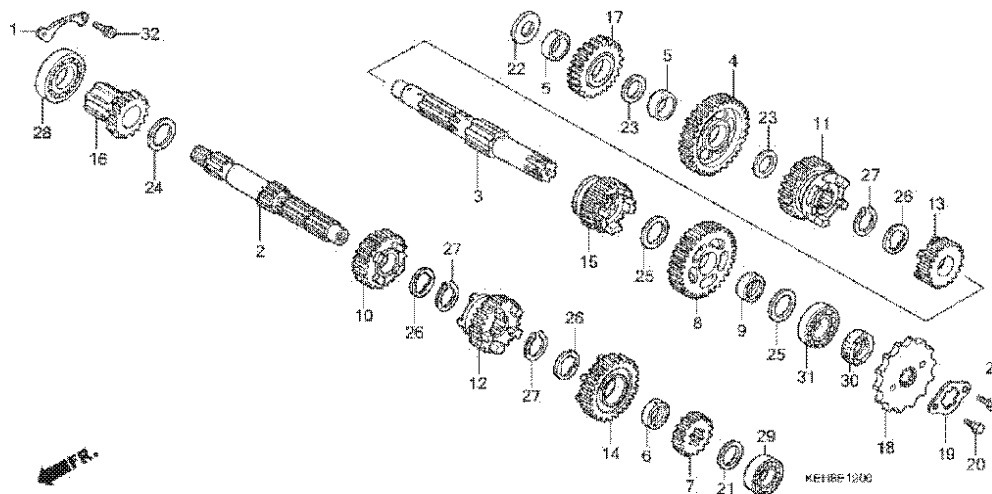
E - 11 Crankcase/Piston



Bagian yang diservice	F.R.T.	Nomor Petunjuk	Nomor Part	Uraian Part	Jumlah	Nomor Serie	Catatan
CRANKSHAFT.....	5.1	1	13000-KEH-660	CRANKSHAFT COMP	1		
.INCLUDES: ENGINE REMOVAL AND INSTALLATION		2	13011-KCT-305	RING SET, PISTON (STD.)	1		
RING, PISTON AND/OR PISTON (ONE)	3.1	3	13021-KCT-305	RING SET, PISTON (0.25)	(1)		
.INCLUDES: ENGINE REMOVAL AND INSTALLATION			13031-KCT-305	RING SET, PISTON (0.50)	(1)		
SPROCKET, TIMING	5.2	4	13101-KEH-660	PISTON (STD.)	1		
.INCLUDES: ENGINE REMOVAL AND INSTALLATION		5	13102-KEH-660	PISTON (0.25)	(1)		
BEARING, CRANKSHAFT : LEFT	5.4	8	13103-KEH-660	PISTON (0.50)	(1)		
.INCLUDES: ENGINE REMOVAL AND INSTALLATION			13111-440-000	PIN, PISTON	1		
BEARING, CRANKSHAFT : RIGHT.....	5.0		13201-KPK-900	ROD, CONNECTING	1		
.INCLUDES: ENGINE REMOVAL AND INSTALLATION							
BEARING, CRANKSHAFT : BOTH.....	5.4	9	13380-KCN-300	PIN COMP., CRANK	1		
.INCLUDES: ENGINE REMOVAL AND INSTALLATION		10	14311-KN6-931	SPROCKET, TIMING (17T)	1		
.INCLUDES: TIMING SPROCKET			90701-HB6-010	KEY, WOOD RUFF (25X)			

06.2006

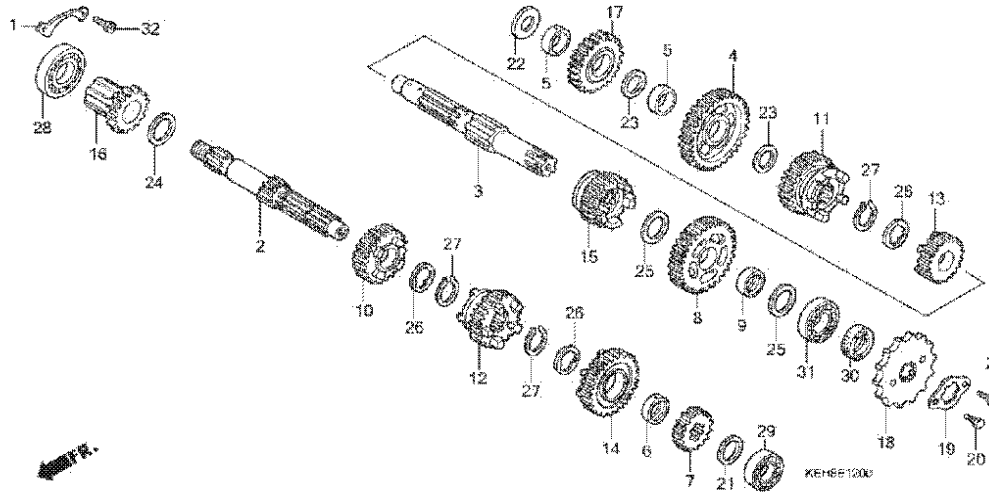
E - 12 Transmission



Bagian yang diservice	F.R.T.	Nomor Petunjuk	Nomor Part	Uraian Part	Jumlah	Nomor Serie	Catatan
MAINSHAFT, TRANSMISSION.....	4.5	1	11108-KCN-000	PLATE, BEARING SETTING	1		
.INCLUDES: ENGINE REMOVAL AND INSTALLATION		2	23211-KEH-660	MAINSHAFT, TRANSMISSION (13T)	1		
REPLACE COUNTERSHAFT ADD ----	0.2	3	23221-KCT-690	COUNTERSHAFT, TRANSMISSION	1		
COUNTERSHAFT, TRANSMISSION ...	4.5	4	23426-KCN-000	GEAR, COUNTERSHAFT LOW (36T)	1		
.INCLUDES: ENGINE REMOVAL AND INSTALLATION		5	23427-439-000	COLLAR, COUNTERSHAFT LOW GEAR	2		
REPLACE MAINSHAFT ADD.....	0.2	6	23431-KFB-000	BUSH, 20MM	1		
SPROCKET, DRIVE	0.2	7	23441-KCN-000	GEAR, MAINSHAFT SECOND (18T)	1		
BEARING, MAINSHAFT :RIGHT.....	5.2	8	23451-KCN-000	GEAR, COUNTERSHAFT SECOND (31T)	1		
.INCLUDES: ENGINE REMOVAL AND INSTALLATION		9	23452-KW1-900	BUSH, 20X23X9	1		
BEARING, MAINSHAFT :BOTH.....	5.4	10	23461-KCN-000	GEAR, MAINSHAFT THIRD (19T)	1		
.INCLUDES: ENGINE REMOVAL AND INSTALLATION		11	23471-KCN-000	GEAR, COUNTERSHAFT THIRD (24T)	1		
BEARING, MAINSHAFT AND COUNTERSHAFT :ALL.....	5.5	12	23481-KCN-000	GEAR, MAINSHAFT FOURTH (22T)	1		
.INCLUDES: ENGINE REMOVAL AND INSTALLATION		13	23491-KCN-000	GEAR, COUNTERSHAFT FOURTH (22T)	1		
BEARING, MAINSHAFT :LEFT.....	4.5	14	23501-KCN-000	GEAR, MAINSHAFT FIFTH (31T)	1		
.INCLUDES: ENGINE REMOVAL AND INSTALLATION		15	23511-KCN-010	GEAR, COUNTERSHAFT FIFTH (26T)	1		
BEARING, COUNTERSHAFT : LEFT ...	4.5	16	23520-KCT-690	GEAR COMP., STARTER	1		
		17	23531-KCT-690	GEAR ONLY, IDLE STARTER	1		
		18	23801-KCT-690	SPROCKET, DRIVE (14T)	1		
		19	23811-KR3-600	PLATE A2, FIXING	1		
		20	90084-041-000	BOLT, DRIVE SPROCKET FIXING	2		
		21	90451-107-000	WASHER, THRUST, 15MM	1		
		22	90451-365-000	WASHER, THRUST, 15MM	1		
		23	90452-437-000	WASHER, THRUST, 16.5MM	2		

06.2006

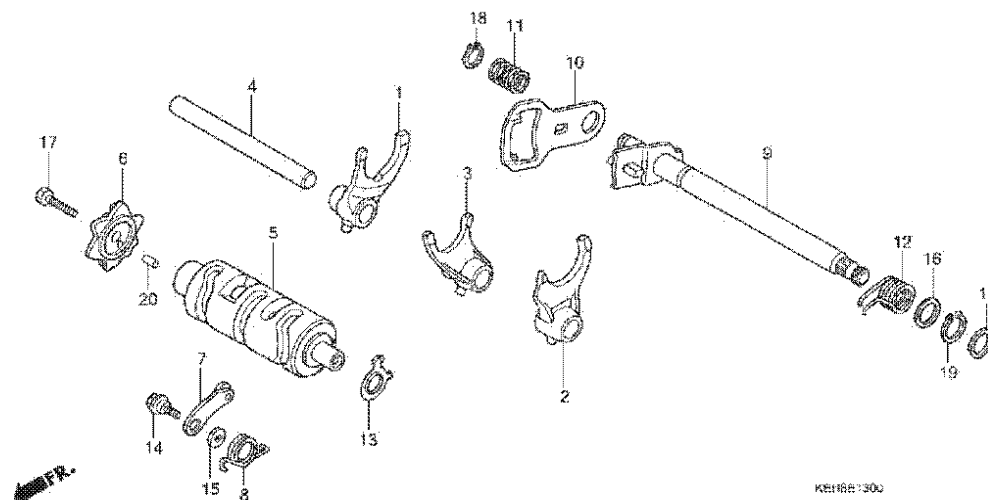
E - 12 Transmission



Bagian yang diservice	F.R.T.	Nomor Petunjuk	Nomor Part	Uraian Part	Jumlah	Nomor Serie	Catatan	
.INCLUDES: ENGINE REMOVAL AND INSTALLATION BEARING, MAINSHAFT AND COUNTERSHAFT :ALL 5.5 .INCLUDES: ENGINE REMOVAL AND INSTALLATION		24	90453-107-000	WASHER A, THRUST, 20MM	1			
		25	90454-107-000	WASHER, THRUST, 20MM	2			
		26	90455-107-000	WASHER A, SPLINE, 20MM	3			
		27	90605-200-000	SET RING, 20MM	3			
		28	91005-965-681	BEARING, RADIAL BALL, 6006	1			
		29	91015-KK6-003	BEARING, RADIAL BALL, 6202U	1			
		30	91201-030-033	OIL SEAL, 20X34X7	1			
		31	HB 6204	BEARING, RADIAL BALL, 6204	1			
		32	96600-06016-08	BOLT, SOCKET, 6X16	2			

06.2006

E - 13 Gearshift Drum

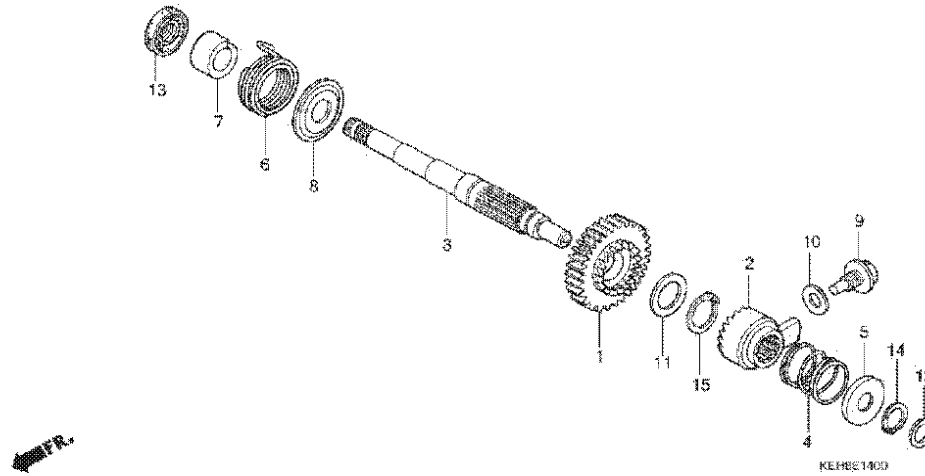


Bagian yang diservice	F.R.T.	Nomor Petunjuk	Nomor Part	Uraian Part	Jumlah	Nomor Serie	Catatan
FORK, GEARSHIFT	4.4	1	24211-446-650	FORK, R. GEARSHIFT	1		
.NOTE: SAME TIME FOR TWO UNITS OR MORE		2	24221-427-010	FORK, L. GEARSHIFT	1		
.INCLUDES: ENGINE REMOVAL AND INSTALLATION		3	24231-107-010	FORK, CENTER GEARSHIFT	1		
DRUM, GEARSHIFT	4.4	4	24241-KCS-650	SHAFT, GEARSHIFT FORK GUIDE	1		
.INCLUDES: ENGINE REMOVAL AND INSTALLATION		5	24301-KCN-000	DRUM, GEARSHIFT	1		
CAM, GEARSHIFT	1.2	6	24411-KCN-000	CAM, GEARSHIFT	1		
STOPPER OR SPRING, SHIFT DRUM.....	1.2	7	24430-KW1-900	STOPPER COMP., GEARSHIFT DRUM	1		
SPINDLE, GEARSHIFT	1.2	8	24435-KEH-930	SPRING, SHIFT DRUM STOPPER	1		
		9	24610-KC6-000	SPINDLE COMP., GEARSHIFT	1		
		10	24621-107-760	PLATE, GEARSHIFT	1		
		11	24631-107-000	SPRING, GEARSHIFT PLATE	1		
		12	24651-107-000	SPRING, GEARSHIFT RETURN	1		
		13	35753-KG2-951	ROTOR, NEUTRAL SWITCH	1		
		14	90023-KW1-900	BOLT, GEARSHIFT DRUM STOPPER	1		
		15	90408-KW1-900	ARM PIVOT WASHER, 6MM	1		
		16	90451-001-000	WASHER, THRUST, 14MM	2		
		17	92101-06025-0A	BOLT, HEX., 6X25	1		
		18	94510-12000	CIRCLIP, EXTERNAL, 12MM	1		
		19	94510-14000	CIRCLIP, EXTERNAL, 14MM	1		
		20	96220-40100	ROLLER, 4X10	1		

06.2006

E - 14

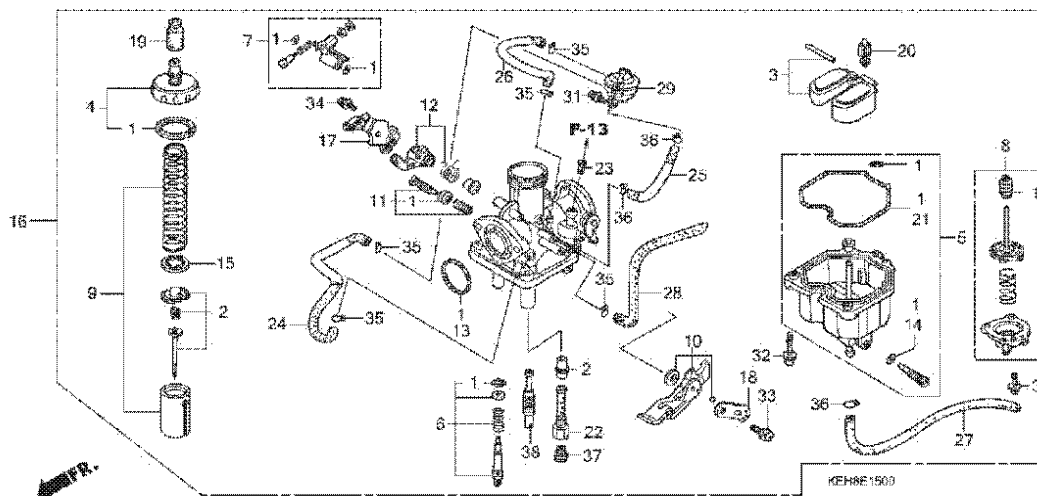
Kick Starter Spindle



Bagian yang diservice	F.R.T.	Nomor Petunjuk	Nomor Part	Uraian Part	Jumlah	Nomor Serie	Catatan
SPINDLE, KICK STARTER	4.5	1	28211-KCT-690	PINION, KICK STARTER	1		
.INCLUDES: ENGINE REMOVAL AND INSTALLATION		2	28221-437-000	RATCHET, KICK STARTER	1		
OIL SEAL, KICK STARTER SPINDLE ..	0.8	3	28251-KC6-000	SPINDLE, KICK STARTER	1		
		4	28253-KA2-000	SPRING, KICK STARTER RATCHET	1		
		5	28254-437-000	SEAT, RATCHET SPRING	1		
		6	28261-KCJ-710	SPRING, KICK STARTER	1		
		7	28262-437-000	COLLAR, KICK SPINDLE	1		
		8	28263-KCJ-710	RETAINER, STARTER SPRING	1		
		9	90004-437-000	BOLT, KICK RATCHET	1		
		10	90401-KCJ-710	WASHER, 12MM	1		
		11	90453-107-000	WASHER A, THRUST, 20MM	1		
		12	90459-107-000	WASHER, THRUST, 12MM	1		
		13	91204-259-0030	OIL SEAL, 16X28X7	1		
		14	94510-16000	CIRCLIP, EXTERNAL, 16MM	1		
		15	94510-20000	CIRCLIP, EXTERNAL, 20MM	1		

06.2006

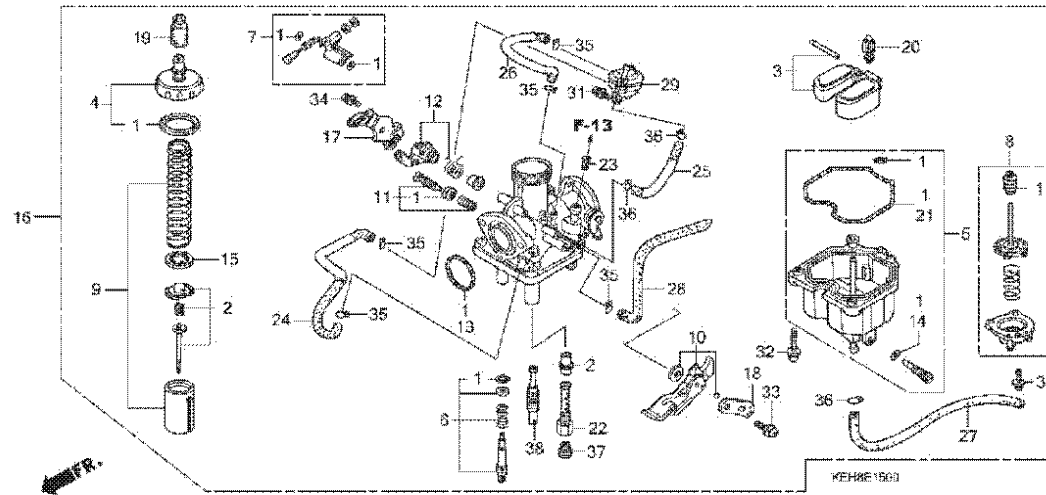
E - 15 Carburetor



Bagian yang diservice	F.R.T.	Nomor Petunjuk	Nomor Part	Uraian Part	Jumlah	Nomor Serie	Catatan
NEEDLE, JET	0.6	1	16010-KEH-900	GASKET SET	1		
FLOAT OR FLOAT VALVE	0.5	2	16012-KEH-602	NEEDLE SET, JET	1		
TOP SET, CARBURETOR	0.2	3	16013-KEH-900	FLOAT SET	1		
CHAMBER, FLOAT	0.5	4	16014-KEH-601	TOP SET	1		
PUMP SET, ACCELERATOR	0.5	5	16015-KEH-900	CHAMBER SET, FLOAT	1		
VALVE, THROTTLE	0.3						
LEVER, CHOKE : CARBURETOR		6	16016-KRM-841	SCREW SET A	1		
SIDE	0.1	7	16018-KEH-900	ARM SET, PUMP	1		
CARBURETOR ASSEMBLY	0.5	8	16021-KC5-004	DIAPHRAGM SET, PUMP	1		
VALVE, AIR CUT	0.3	9	16022-KEH-601	VALVE SET, THROTTLE	1		
JET, MAIN	0.5	10	16025-KEH-601	LEVER SET, CHOKE	1		
		11	16028-KEH-900	SCREW SET B	1		
		12	16031-KEH-900	ARM SET, PUMP	1		
		13	16075-GHB-B70	O-RING, 2.4X29	1		
		14	16075-GHB-640	O-RING, 1.3X4.3	1		
		15	16092-HM8-A01	PLATE B, VALVE	1		
		16	16100-KEH-602	CARBURETOR ASSY. (PDD1G A)	1		
		17	16119-KEH-601	PLATE, STAY	1		
		18	16119-440-004	PLATE, STAY	1		
		19	16148-KB1-921	CAP, CABLE SEALING	1		
		20	16155-413-751	VALVE COMP., FLOAT	1		
		21	16163-KCS-920	GASKET, FLOAT CHAMBER	1		
		22	16165-KEH-900	HOLDER, NEEDLE JET	1		
		23	16176-HM8-B01	SCREEN, FUEL STRAINER	1		
		24	16196-KEH-602	TUBE COMP.	1		
		25	16197-KEH-602	TUBE COMP	1		

06.2006

E - 15 Carburetor



Bagian yang diservice	F.R.T.	Nomor Petunjuk	Nomor Part	Uraian Part	Jumlah	Nomor Serie	Catatan
		26	16198-KEH-602	TUBE COMP.	1		
		27	16199-KEH-601	TUBE, 3.5X390	1		
		28	16199-KEH-900	TUBE, AIR VENT	1		
		29	16510-KEH-601	VALVE ASSY., AIR CUT	1		
		30	93892-04012-18	SCREW-WASHER, 4X12	3		
		31	93892-04014-18	SCREW-WASHER, 4X14	2		
		32	93892-04016-18	SCREW-WASHER, 4X16	3		
		33	93892-05012-18	SCREW-WASHER, 5X12	1		
		34	93892-05014-18	SCREW-WASHER, 5X14	1		
		35	95002-02089	CLIP, TUBE (B8)	5		
		36	95002-02659	CLIP, TUBE (B6.5)	3		
		37	99101-GHB-1050	JET, MAIN, #105	1		
		38	99103-KPT-0380	JET, SLOW, #38	1		

06.2006

2