

---

KELOMPOK MESIN

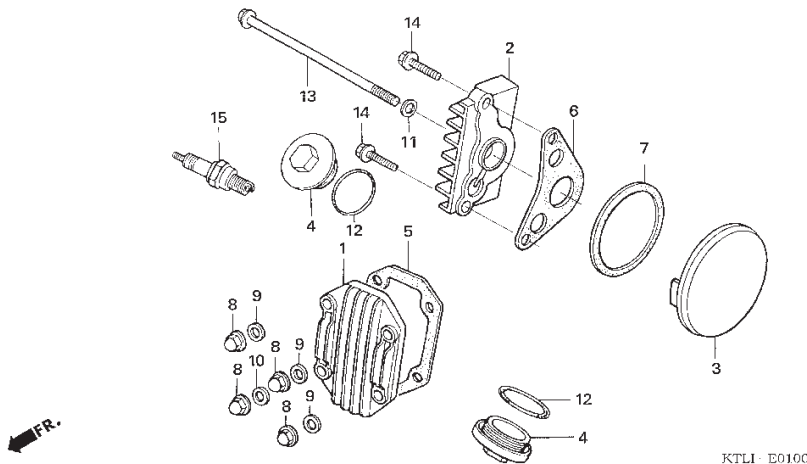
---



**SUPER FIT**

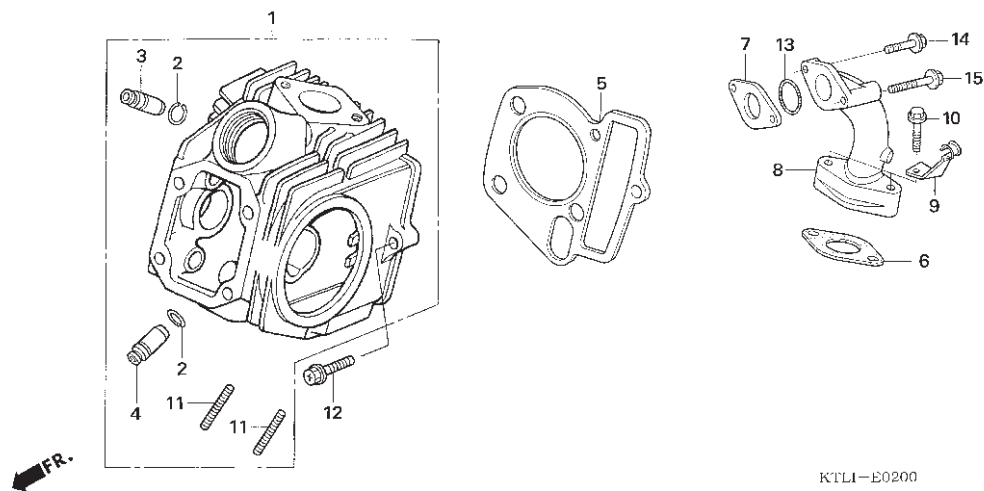
# E - 1

## Cylinder Head Cover



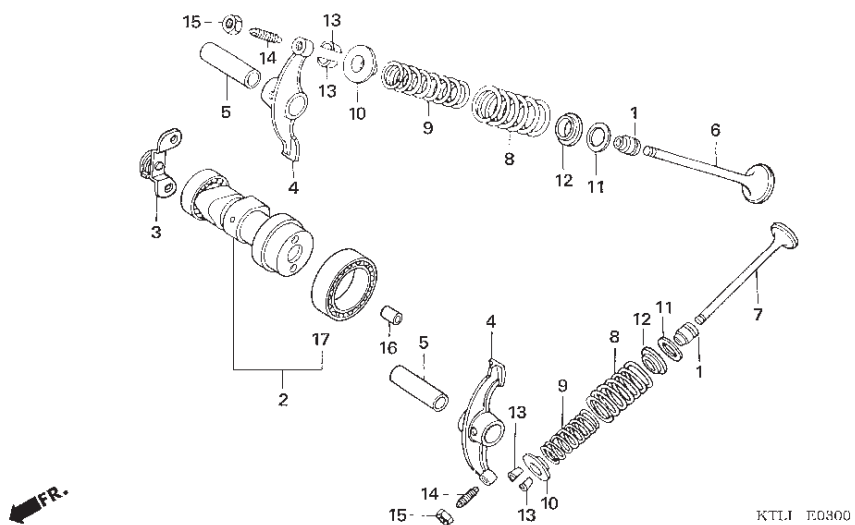
| Service item                | F.R.T. | No. | Part Number    | Description                         | QTY<br>ANF100 / ANF100D | Notes |
|-----------------------------|--------|-----|----------------|-------------------------------------|-------------------------|-------|
| 2 NEEDLE, JET.....          | 0.8    | 1   | 12301-GB6-910  | COVER, CYLINDER HEAD                | 1                       |       |
| 3 FLOAT OR FLOAT VALVE..... | 0.6    | 2   | 12331-KFL-850  | COVER, R. CYLINDER HEAD SIDE        | 1                       |       |
| 4 TOP SET, CARBURETOR.....  | 0.4    | 3   | 12341-KFL-850  | COVER, L. CYLINDER HEAD SIDE        | 1                       |       |
| 5 CHAMBER, FLOAT.....       | 0.5    | 4   | 12361-035-000  | CAP, TAPPET ADJUSTING HOLE          | 2                       |       |
| 7 VALVE, THROTTLE.....      | 0.5    | 5   | 12391-GW8-680  | GASKET, CYLINDER HEAD COVER         | 1                       |       |
| 12 VALVE, AIR CUT.....      | 0.2    | 6   | 12394-KFL-850  | GASKET, R. CYLINDER HEAD SIDE COVER | 1                       |       |
| 15 CARBURETOR ASSEMBLY..... | 0.7    | 7   | 12395-KFL-850  | GASKET, L. CYLINDER HEAD SIDE COVER | 1                       |       |
| 25 COCK ASSY., FUEL.....    | 0.3    | 8   | 90201-GF6-010  | NUT, CAP, 7MM                       | 4                       |       |
| 33 JET, MAIN.....           | 0.6    | 9   | 90442-GF6-010  | WASHER, SEALING, 7MM                | 3                       |       |
|                             |        | 10  | 90443-GF6-010  | WASHER A, SEALING, 7MM              | 1                       |       |
|                             |        | 11  | 90461-357-000  | WASHER, SEALING, 6.5X12             | 1                       |       |
|                             |        | 12  | 91302-KEV-900  | O-RING, 30.8X3                      | 2                       |       |
|                             |        | 13  | 95701-06110-00 | BOLT, FLANGE, 6X110                 | 1                       |       |
|                             |        | 14  | 96001-06025-00 | BOLT, FLANGE, 6X25                  | 2                       |       |
|                             |        | 15  | 98056-56713    | PLUG, SPARK (C6HSA)(NGK)            | 1                       |       |
|                             |        |     | 98056-56723    | PLUG, SPARK (U20FS-U)(DENSO)        | 1                       |       |
|                             |        |     | 98056-57713    | PLUG, SPARK (C7HSA)(NGK)            | (1)                     |       |
|                             |        |     | 98056-57723    | PLUG, SPARK (U22FS-U)(DENSO)        | (1)                     |       |

# E - 2 Cylinder Head



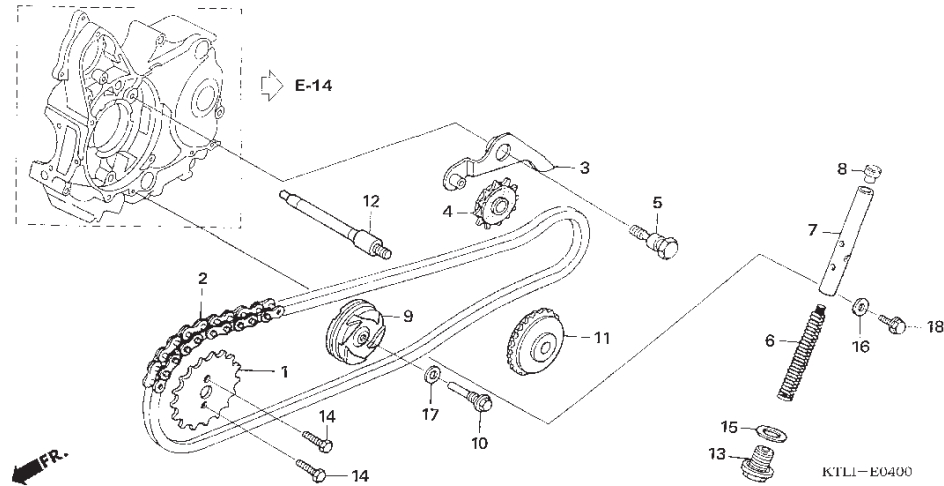
| Service item  | F.R.T. | No. | Part Number    | Description                  | QTY<br>ANF100 / ANF100D | Notes |
|---|--------|-----|----------------|------------------------------|-------------------------|-------|
| 1 HEAD, CYLINDER.....                               | 2.0    | 1   | 12200-KFL-900  | HEAD COMP., CYLINDER         | 1                       |       |
| .INCLUDES: Valve clearance<br>adjustment and reface |        | 2   | 12211-KFM-900  | CLIP, VALVE GUIDE            | 2                       |       |
| 3 GUIDE, INTAKE VALVE(ONE).....                     | 2.0    | 3   | 12237-KFL-305  | GUIDE, IN. VALVE             | 1                       |       |
| .INCLUDES: Reaming                                  |        | 4   | 12245-KFL-305  | GUIDE, EX. VALVE             | 1                       |       |
| .INCLUDES: Valve clearance<br>adjustment and reface |        | 5   | 12251-KFL-850  | GASKET, CYLINDER HEAD        | 1                       |       |
| 6   |        | 6   | 16201-KCW-851  | GASKET, CARBURETOR INSULATOR | 1                       |       |
| 7   |        | 7   | 16211-KFL-850  | INSULATOR, CARBURETOR        | 1                       |       |
| 8 GUIDE, VALVE :FOR 1 VEHICLE.....                  | 2.3    | 8   | 17111-KTL-850  | PIPE, INLET                  | 1                       |       |
| .INCLUDES: Reaming                                  |        | 9   | 17640-KTM-880  | CLAMPER, FUEL TUBE           | 1                       |       |
| .INCLUDES: Valve clearance<br>adjustment and reface |        | 10  | 90004-GHB-670  | BOLT, FLANGE, 6X25 (NSHF)    | 2                       |       |
| 4 GUIDE, EXHAUST VALVE(ONE).....                    | 2.0    | 11  | 90033-041-020  | BOLT, STUD, 6X32             | 2                       |       |
| .INCLUDES: Reaming                                  |        | 12  | 90081-KFL-850  | BOLT, SPECIAL FLANGE, 6X23   | 1                       |       |
| .INCLUDES: Valve clearance<br>adjustment and reface |        | 13  | 91304-GB1-900  | O-RING, 25X2.4               | 1                       |       |
| 9 GUIDE, VALVE :FOR 1 VEHICLE.....                  | 2.3    | 14  | 96001-06022-00 | BOLT, FLANGE, 6X22           | 1                       |       |
| .INCLUDES: Reaming                                  |        | 15  | 96001-06045-00 | BOLT, FLANGE, 6X45           | 1                       |       |
| .INCLUDES: Valve clearance<br>adjustment and reface |        |     |                |                              |                         |       |
| 5 GASKET, CYLINDER HEAD.....                        | 1.1    |     |                |                              |                         |       |
| 7 INSULATOR, THROTTLE BODY/<br>CARBURETOR.....      | 0.3    |     |                |                              |                         |       |
| 8 MANIFOLD, INTAKE.....                             | 0.4    |     |                |                              |                         |       |

# E - 3 Camshaft / Valve



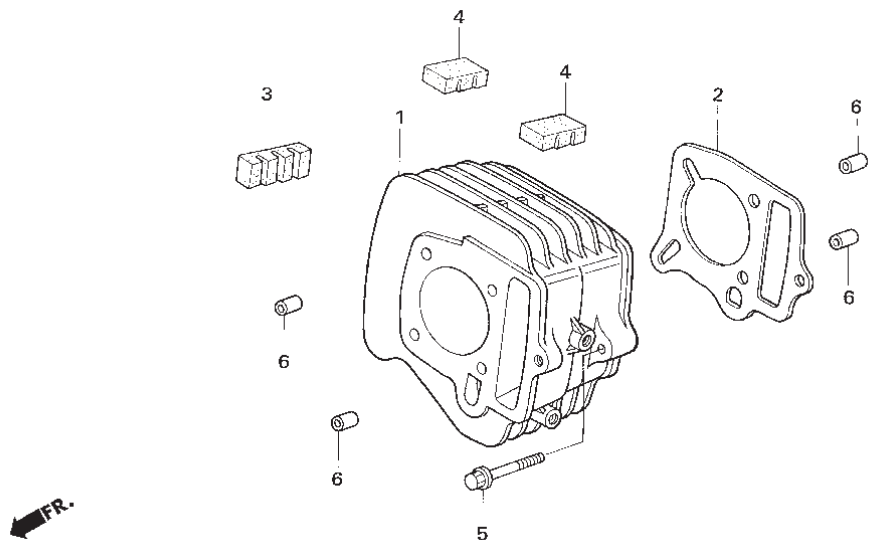
| Service item   | F.R.T. | No. | Part Number   | Description                | QTY<br>ANF100 / ANF100D | Notes |
|--|--------|-----|---------------|----------------------------|-------------------------|-------|
| 2 CAMSHAFT.....  | 0.8    | 1   | 12209-GB4-681 | SEAL, VALVE STEM (NOK)     | 2                       |       |
| .INCLUDES: Valve clearance adjustment                  |        | 2   | 14100-KFM-900 | CAMSHAFT COMP.             | 1                       |       |
| 4 ARM, INTAKE VALVE ROCKER(ONE) ....                   | 1.3    | 3   | 14150-GN5-911 | PLATE COMP., STOPPER       | 1                       |       |
| .INCLUDES: Valve clearance adjustment                  |        | 4   | 14431-GN5-911 | ARM, VALVE ROCKER          | 2                       |       |
| ARM, EXHAUST VALVE ROCKER(ONE)                         | 1.3    | 5   | 14451-035-000 | SHAFT, VALVE ROCKER ARM    | 2                       |       |
| .INCLUDES: Valve clearance adjustment                  |        | 6   | 14711-KFM-900 | VALVE, IN.                 | 1                       |       |
| ARM, VALVE ROCKER :FOR 1 VEHICLE                       | 1.3    | 7   | 14721-GF6-010 | VALVE, EX.                 | 1                       |       |
| .INCLUDES: Valve clearance adjustment                  |        | 8   | 14751-GN5-911 | SPRING, VALVE OUTER        | 2                       |       |
| 6 VALVE, INTAKE(ONE) .....                             | 1.6    | 9   | 14761-GN5-911 | SPRING, VALVE INNER        | 2                       |       |
| .INCLUDES: Refacing                                    |        | 10  | 14771-GB4-680 | RETAINER, VALVE SPRING     | 2                       |       |
| .EXCLUDES: Valve guide replacement                     |        | 11  | 14775-KFM-900 | SEAT, VALVE SPRING OUTER   | 2                       |       |
| VALVE :FOR 1 VEHICLE .....                             | 1.8    | 12  | 14776-KFM-900 | SEAT, VALVE SPRING INNER   | 2                       |       |
| .INCLUDES: Refacing                                    |        | 13  | 14781-MA6-000 | COTTER, VALVE              | 4                       |       |
| .EXCLUDES: Valve guide replacement                     |        | 14  | 90012-333-000 | SCREW, TAPPET ADJUSTING    | 2                       |       |
| 7 VALVE, EXHAUST(ONE).....                             | 1.6    | 15  | 90206-001-000 | NUT, TAPPET ADJUSTING      | 2                       |       |
| INCLUDES: Refacing                                     |        | 16  | 90702-KFM-900 | DOWEL PIN, 8X12            | 1                       |       |
| .EXCLUDES: Valve guide replacement                     |        | 17  | 91007-GB6-911 | BEARING, RADIAL BALL, 6905 | 1                       |       |
| VALVE :FOR 1 VEHICLE .....                             | 1.8    |     |               |                            |                         |       |
| .INCLUDES: Refacing                                    |        |     |               |                            |                         |       |
| .EXCLUDES: Valve guide replacement                     |        |     |               |                            |                         |       |
| 8 SPRING AND/OR STEM SEAL,<br>INTAKE VALVE(ONE) .....  | 1.4    |     |               |                            |                         |       |
| SPRING AND/OR STEM SEAL,<br>EXHAUST VALVE(ONE) .....   | 1.4    |     |               |                            |                         |       |
| SPRING AND/OR STEM SEAL,<br>VALVE :FOR 1 VEHICLE ..... | 1.5    |     |               |                            |                         |       |
| 17 BEARING, CAMSHAFT .....                             | 1.0    |     |               |                            |                         |       |

# E - 4 Cam Chain / Tensioner



| Service item | F.R.T.  | No. | Part Number | Description    | QTY<br>ANF100 / ANF100D             | Notes |  |
|--------------|---|-----|-------------|----------------|-------------------------------------|-------|--|
| 1            | SPROCKET, CAM .....                           | 0.6 | 1           | 14321-KFM-900  | SPROCKET, CAM (32T)                 | 1     |  |
| 2            | CHAIN, CAM .....                              | 1.4 | 2           | 14401-KFM-900  | CHAIN, CAM (88L) (DAIDO)            | 1     |  |
| 3            | ARM, CAM CHAIN TENSIONER .....                | 1.0 | 3           | 14401-KFM-901  | CHAIN, CAM (DID25H-88LE)            | 1     |  |
| 4            | ROLLER(S), CAM CHAIN TENSIONER .              | 1.0 | 4           | 14500-035-020  | ARM COMP., CAM CHAIN TENSIONER      | 1     |  |
| 7            | ROD, CAM CHAIN TENSIONER PUSH .               | 0.3 | 4           | 14502-086-000  | ROLLER, CAM CHAIN TENSIONER         | 1     |  |
| 9            | ROLLER, CAM CHAIN GUIDE.....                  | 1.2 | 5           | 14531-035-000  | PIVOT, CAM CHAIN TENSIONER          | 1     |  |
| 11           | SPROCKET, CAM CHAIN GUIDE.....                | 4.0 | 6           | 14541-GB4-681  | SPRING, CAM CHAIN TENSIONER         | 1     |  |
|              | .INCLUDES: Engine removal and<br>installation |     | 7           | 14550-GB0-911  | ROD COMP., CAM CHAIN TENSIONER PUSH | 1     |  |
| 12           | BOLT, CAM CHAIN GUIDE ROLLER.....             | 4.0 | 8           | 14566-086-030  | HEAD, CAM CHAIN TENSIONER PUSH ROD  | 1     |  |
|              | .INCLUDES: Engine removal and<br>installation |     | 9           | 14610-086-010  | ROLLER COMP., CAM CHAIN GUIDE       | 1     |  |
|              |   |     | 10          | 14615-KFL-850  | PIN, GUIDE ROLLER                   | 1     |  |
|              |   |     | 11          | 14670-035-030  | SPROCKET, CAM CHAIN GUIDE (25T)     | 1     |  |
|              |   |     | 12          | 14675-178-000  | SPINDLE, CAM CHAIN GUIDE SPROCKET   | 1     |  |
|              |   |     | 13          | 90081-035-000  | BOLT, SEALING, 14MM                 | 1     |  |
|              |   |     | 14          | 90083-GB6-911  | BOLT, KNOCK, 5MM                    | 2     |  |
|              |   |     | 15          | 90441-035-000  | WASHER, SEALING, 14MM               | 1     |  |
|              |   |     | 16          | 90461-357-000  | WASHER, SEALING, 6.5X12             | 1     |  |
|              |   |     | 17          | 90481-035-000  | WASHER, 8MM                         | 1     |  |
|              |   |     | 18          | 95701-06018-00 | BOLT, FLANGE, 6X18                  | 1     |  |

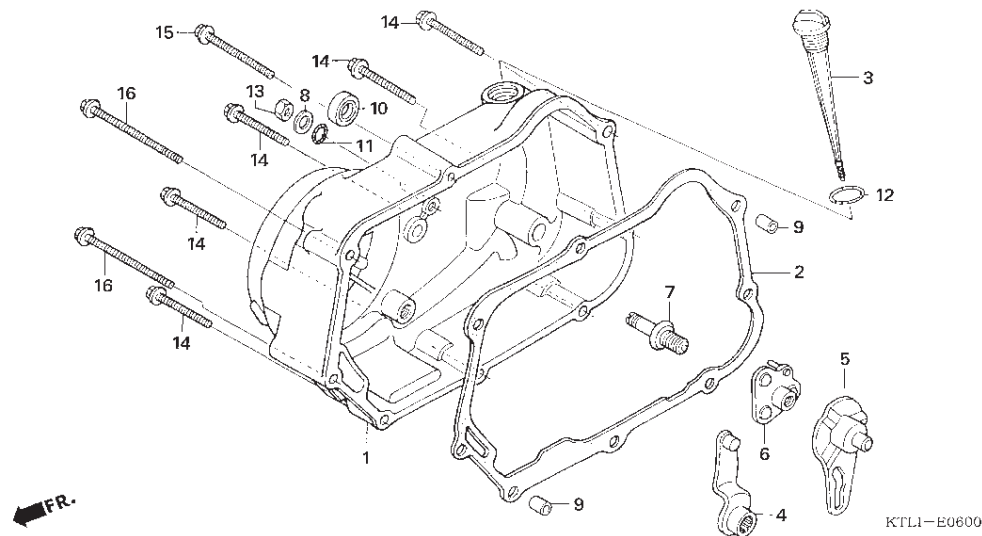
# E- 5 Cylinder



| Service item             | F.R.T. | No. | Part Number   | Description                | QTY<br>ANF100 / ANF100D | Notes |
|--------------------------|--------|-----|---------------|----------------------------|-------------------------|-------|
| 1 CYLINDER.....          | 1.4    | 1   | 12100-KFM-900 | CYLINDER COMP.             | 1                       |       |
| 2 GASKET, CYLINDER ..... | 1.3    | 2   | 12191-KFL-850 | GASKET, CYLINDER           | 1                       |       |
|                          |        | 3   | 12195-KFL-850 | RUBBER A, INSERT           | 1                       |       |
|                          |        | 4   | 12196-KFM-900 | RUBBER B, INSERT           | 2                       |       |
|                          |        | 5   | 90082-KFL-850 | BOLT, SPECIAL FLANGE, 6X30 | 1                       |       |
|                          |        | 6   | 90701-KFM-900 | DOWEL PIN, SPECIAL, 8X14   | 4                       |       |

# E - 6

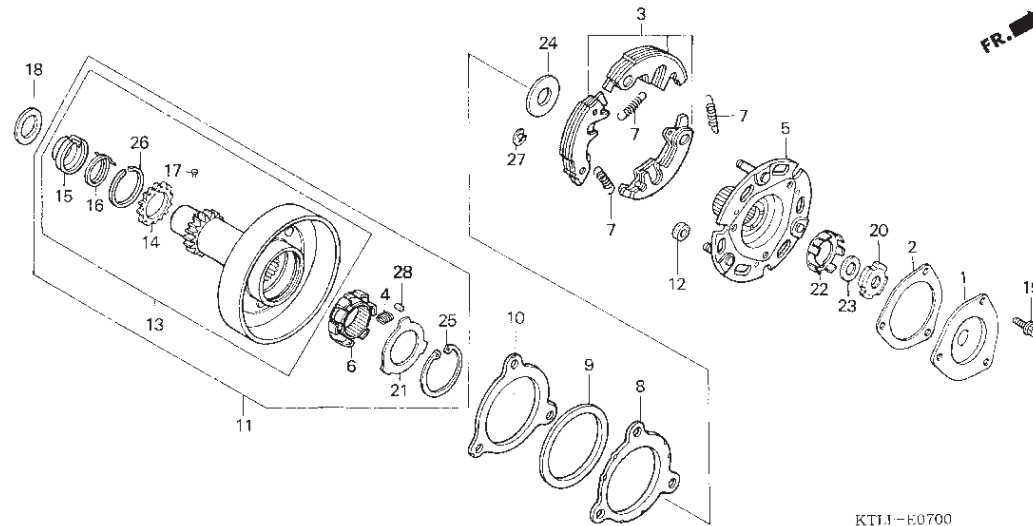
## Right Crankcase Cover



| Service item                           | F.R.T. | No. | Part Number    | Description                | QTY<br>ANF100 / ANF100D | Notes |
|--|--------|-----|----------------|----------------------------|-------------------------|-------|
| 1 COVER, CRANKCASE :RIGHT .....        | 0.8    | 1   | 11330-KTL-690  | COVER COMP., R. CRANKCASE  | 1                       |       |
| 2 GASKET, CRANKCASE COVER :RIGHT       | 0.6    | 2   | 11394-KFL-850  | GASKET, R. CRANKCASE COVER | 1                       |       |
| 4 LEVER, CLUTCH .....                  | 0.7    | 3   | 15651-GN5-912  | GAUGE, OIL LEVEL           | 1                       |       |
| 5 PLATE, CLUTCH CAM.....               | 0.6    | 4   | 22810-KTL-740  | LEVER COMP., CLUTCH        | 1                       |       |
| 6 PLATE, CLUTCH CAM LIFTER .....       | 0.7    | 5   | 22823-KFL-850  | PLATE, CLUTCH LIFTER CAM   | 1                       |       |
| 7 SCREW, CLUTCH ADJUSTING.....         | 0.7    | 6   | 22840-KFL-850  | LIFTER COMP., CLUTCH       | 1                       |       |
| 10 OIL SEAL, KICK STARTER SPINDLE .... | 0.6    | 7   | 22846-GN5-910  | BOLT, CLUTCH ADJUSTING     | 1                       |       |
|  |        | 8   | 90485-040-000  | WASHER, 8MM                | 1                       |       |
|  |        | 9   | 90702-KFM-900  | DOWEL PIN, 8X12            | 2                       |       |
|  |        | 10  | 91202-KFL-841  | OIL SEAL, 13.8X24X5        | 1                       |       |
|  |        | 11  | 91303-001-000  | O-RING, 8MM                | 1                       |       |
|  |        | 12  | 91307-035-000  | O-RING, 18X3               | 1                       |       |
|  |        | 13  | 94030-08000    | NUT, HEX., 8MM             | 1                       |       |
|  |        | 14  | 96001-06040-00 | BOLT, FLANGE, 6X40         | 5                       |       |
|  |        | 15  | 96001-06065-00 | BOLT, FLANGE, 6X65         | 1                       |       |
|  |        | 16  | 96001-06080-00 | BOLT, FLANGE, 6X80         | 2                       |       |

# E - 7

## One Way Clutch

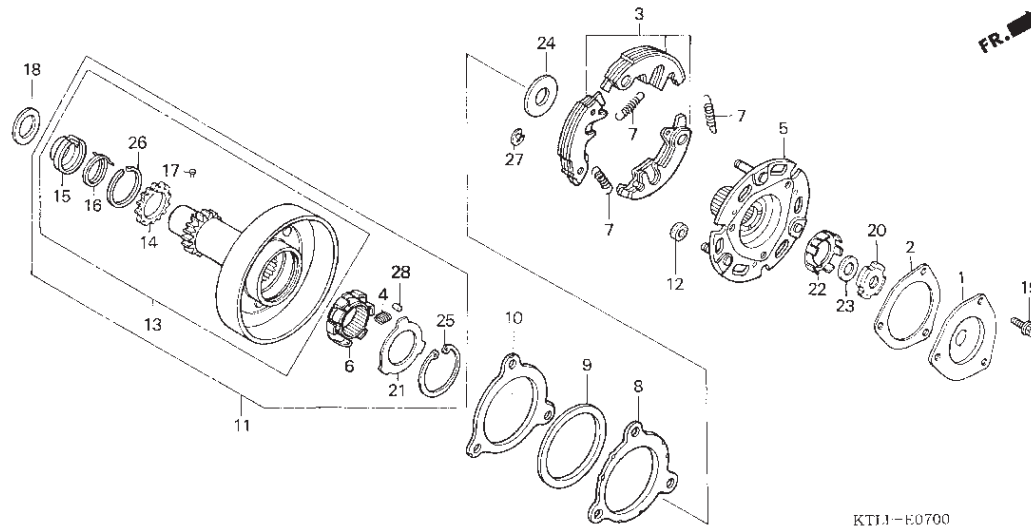


| Service item                  | F.R.T. | No. | Part Number   | Description                 | QTY<br>ANF100 / ANF100D | Notes |
|-------------------------------|--------|-----|---------------|-----------------------------|-------------------------|-------|
| 1 COVER, OIL FILTER.....      | 0.7    | 1   | 15431-HF7-010 | COVER, OIL FILTER           | 1                       |       |
| 3 WEIGHT SET, CLUTCH.....     | 1.0    | 2   | 15439-HF7-000 | GASKET, OIL FILTER          | 1                       |       |
| 5 PLATE, DRIVE.....           | 1.0    | 3   | 22530-KFL-850 | WEIGHT SET, CLUTCH          | 1                       |       |
| 6 INNER, ONE-WAY CLUTCH.....  | 1.0    | 4   | 22606-GN5-910 | SPRING, ONE WAY RETAINER    | 6                       |       |
| 11 OUTER, PRIMARY CLUTCH..... | 1.0    | 5   | 22610-KFL-850 | PLATE COMP., PRIMARY DRIVE  | 1                       |       |
| 13 GEAR, PRIMARY DRIVE.....   | 1.1    | 6   | 22630-GB2-000 | INNER COMP., ONE-WAY CLUTCH | 1                       |       |
|                               |        | 7   | 22641-KFL-D00 | SPRING, PRIMARY CLUTCH      | 3                       |       |
|                               |        | 8   | 22642-KFL-850 | WASHER, CLUTCH SIDE         | 1                       |       |
|                               |        | 9   | 22643-KFL-D00 | SPRING, SIDE FRICTION       | 1                       |       |
|                               |        | 10  | 22644-KFL-851 | PLATE, CLUTCH SIDE          | 1                       |       |
|                               |        | 11  | 22660-KFM-900 | OUTER ASSY., PRIMARY CLUTCH | 1                       |       |
|                               |        | 12  | 22804-GB2-000 | RUBBER, CLUTCH DAMPER       | 3                       |       |
|                               |        | 13  | 23120-KFM-900 | GEAR COMP., PRIMARY DRIVE   | 1                       |       |
|                               |        | 14  | 23122-KFM-900 | SUB GEAR (17T)              | 1                       |       |
|                               |        | 15  | 23123-KFL-850 | RETAINER, SPRING            | 1                       |       |
|                               |        | 16  | 23124-GCE-900 | SPRING, SUB GEAR            | 1                       |       |
|                               |        | 17  | 23125-GN5-910 | PIN                         | 1                       |       |
|                               |        | 18  | 23126-GCE-900 | COLLAR                      | 1                       |       |
|                               |        | 19  | 90083-KFL-850 | BOLT, SPECIAL FLANGE, 5X8   | 3                       |       |
|                               |        | 20  | 90231-087-010 | NUT, LOCK, 14MM             | 1                       |       |



# E - 7

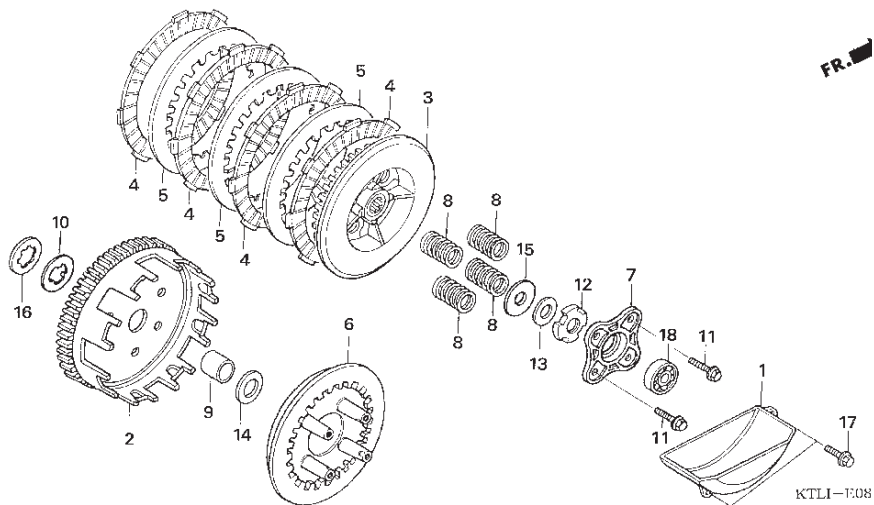
## One Way Clutch



KTIJ-E0700

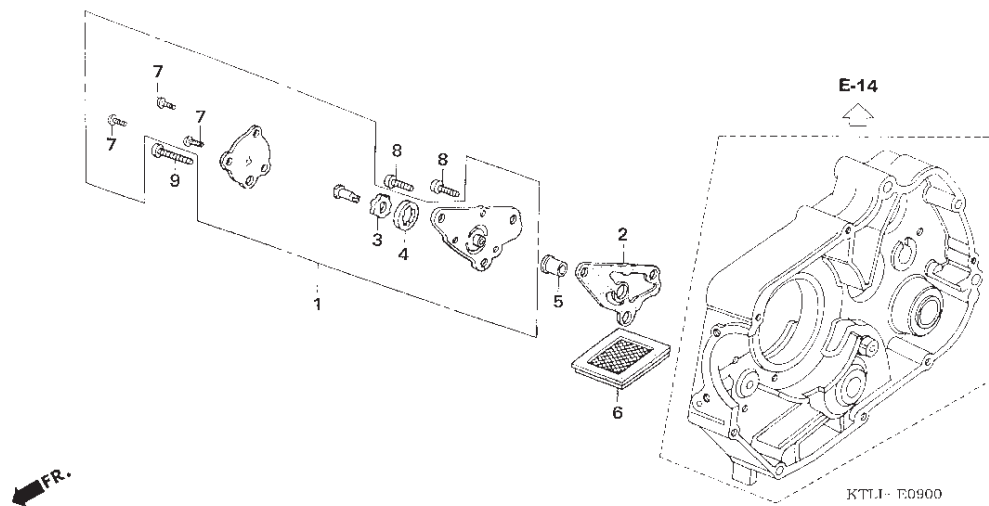
| Service item | F.R.T. | No. | Part Number   | Description             | QTY<br>ANF100 / ANF100D | Notes |
|--------------|--------|-----|---------------|-------------------------|-------------------------|-------|
|              |        | 21  | 90401-GB2-000 | WASHER, 30X45X0.8       | 1                       |       |
|              |        | 22  | 90431-GN5-910 | WASHER, LOCK            | 1                       |       |
|              |        | 23  | 90432-086-000 | WASHER B, LOCK          | 1                       |       |
|              |        | 24  | 90433-KW7-900 | WASHER, 17X23X3         | 1                       |       |
|              |        | 25  | 90455-GB2-000 | CIRCLIP, INTERNAL, 45MM | 1                       |       |
|              |        | 26  | 90603-PX0-A00 | SET RING, 23MM          | 1                       |       |
|              |        | 27  | 90605-166-720 | CIRCLIP, 7MM            | 3                       |       |
|              |        | 28  | 91101-GB2-000 | ROLLER, 5X8             | 6                       |       |

# E - 8 Clutch



| Service item                          | F.R.T. | No. | Part Number    | Description                | QTY<br>ANF100 / ANF100D | Notes |
|---------------------------------------|--------|-----|----------------|----------------------------|-------------------------|-------|
| 1 SEPARATOR, OIL .....                | 1.0    | 1   | 15661-GN5-910  | PLATE, OIL SEPARATOR       | 1                       |       |
| 2 OUTER, CLUTCH .....                 | 1.0    | 2   | 22110-KFL-D01  | OUTER COMP., CLUTCH (69T)  | 1                       |       |
| 3 CENTER, CLUTCH .....                | 1.2    | 3   | 22121-KFM-900  | CENTER, CLUTCH             | 1                       |       |
| 4 DISC, CLUTCH FRICTION .....         | 1.2    | 4   | 22201-166-001  | DISK, CLUTCH FRICTION      | 4                       |       |
| NOTE: Same time for two units or more |        | 5   | 22311-KN4-680  | PLATE, CLUTCH              | 3                       |       |
| 6 PLATE, CLUTCH PRESSURE .....        | 1.2    | 6   | 22350-115-020  | PLATE, CLUTCH PRESSURE     | 1                       |       |
| 7 PLATE, CLUTCH LIFTER .....          | 1.0    | 7   | 22361-KFM-900  | PLATE, CLUTCH LIFTER       | 1                       |       |
| 8 SPRING, CLUTCH .....                | 1.0    | 8   | 22401-KEV-900  | SPRING, CLUTCH             | 4                       |       |
| NOTE: Same time for two units or more |        | 9   | 23112-GCE-900  | COLLAR, CLUTCH CENTER      | 1                       |       |
| 18 BEARING, CLUTCH LIFTER .....       | 0.7    | 10  | 23217-GN5-910  | SET RING, 17MM             | 1                       |       |
|                                       |        | 11  | 90050-KFL-850  | BOLT, SPECIAL FLANGE, 6X25 | 4                       |       |
|                                       |        | 12  | 90231-198-000  | NUT B, LOCK, 14MM          | 1                       |       |
|                                       |        | 13  | 90402-KFM-900  | WASHER, THRUST, 14MM       | 1                       |       |
|                                       |        | 14  | 90403-HA0-000  | WASHER, THRUST, 17MM       | 1                       |       |
|                                       |        | 15  | 90432-086-000  | WASHER B, LOCK             | 1                       |       |
|                                       |        | 16  | 90462-KFL-850  | WASHER B, SPLINE, 17MM     | 1                       |       |
|                                       |        | 17  | 95701-06020-00 | BOLT, FLANGE, 6X20         | 2                       |       |
|                                       |        | 18  | 96100-62000-00 | BEARING, RADIAL BALL, 6200 | 1                       |       |

# E - 9 Oil Pump

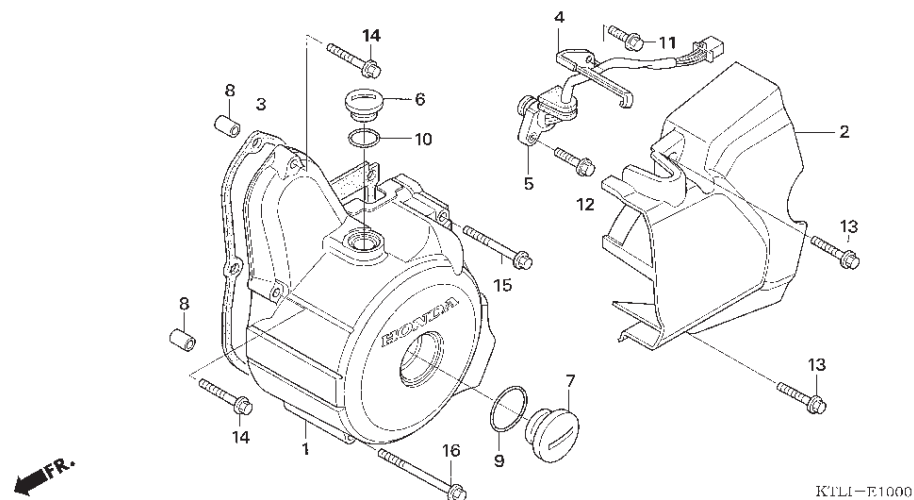


FR.

| Service item              | F.R.T. | No. | Part Number    | Description              | QTY<br>ANF100 / ANF100D | Notes |
|---------------------------|--------|-----|----------------|--------------------------|-------------------------|-------|
| 1 PUMP ASSY., OIL.....    | 1.2    | 1   | 15100-GBG-932  | PUMP ASSY., OIL (YAMADA) | 1                       |       |
| 6 SCREEN, OIL FILTER..... | 0.6    | 2   | 15119-178-000  | GASKET, OIL PUMP BODY    | 1                       |       |
|                           |        | 3   | 15331-GF6-000  | ROTOR, OIL PUMP INNER    | 1                       |       |
|                           |        | 4   | 15332-GF6-000  | ROTOR, OIL PUMP OUTER    | 1                       |       |
|                           |        | 5   | 15384-178-000  | PIVOT, OIL PUMP          | 1                       |       |
|                           |        | 6   | 15421-035-010  | SCREEN, OIL FILTER       | 1                       |       |
|                           |        | 7   | 93500-05010-0A | SCREW, PAN, 5X10         | 3                       |       |
|                           |        | 8   | 93500-06016-0A | SCREW, PAN, 6X16         | 2                       |       |
|                           |        | 9   | 93500-06022-0A | SCREW, PAN, 6X22         | 1                       |       |

# E - 10

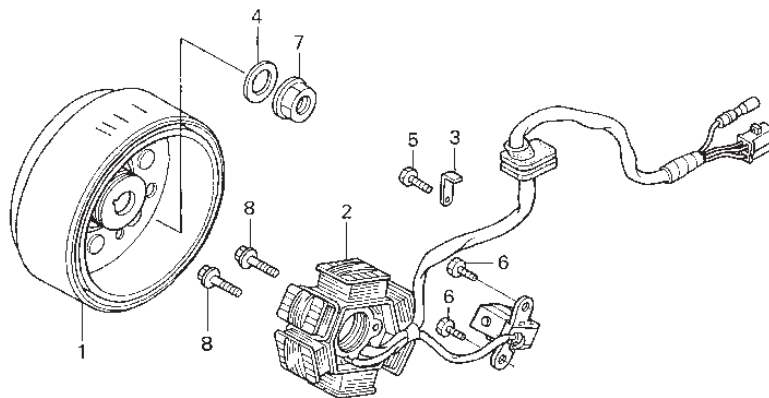
## Left Crankcase Cover



| Service item                       | F.R.T. | No. | Part Number    | Description                  | QTY<br>ANF100 / ANF100D | Notes |
|------------------------------------|--------|-----|----------------|------------------------------|-------------------------|-------|
| 1 COVER, CRANKCASE :LEFT.....      | 0.7    | 1   | 11341-KFV-840  | COVER, L. CRANKCASE          | 1                       |       |
| 2 COVER, CRANKCASE :LEFT REAR..... | 0.1    | 2   | 11361-KTL-690  | COVER, L. RR. CRANKCASE      | 1                       |       |
| 3 GASKET, CRANKCASE COVER :LEFT... | 0.6    | 3   | 11395-GBJ-730  | GASKET, L. CRANKCASE COVER   | 1                       |       |
| 5 SWITCH, GEAR POSITION .....      | 0.5    | 4   | 32961-KFL-850  | CLAMPER, A.C. GENERATOR CORD | 1                       |       |
|                                    |        | 5   | 35759-KTL-691  | CONTACT ASSY., CHANGE SWITCH | 1                       |       |
|                                    |        | 6   | 90084-GN5-830  | CAP, A.C. GENERATOR          | 1                       |       |
|                                    |        | 7   | 90087-GN5-830  | CAP, 30MM                    | 1                       |       |
|                                    |        | 8   | 90702-KFM-900  | DOWEL PIN, 8X12              | 2                       |       |
|                                    |        | 9   | 91301-028-000  | O-RING, 27X2.0               | 1                       |       |
|                                    |        | 10  | 91303-377-000  | O-RING, 13.8X2.5             | 1                       |       |
|                                    |        | 11  | 96001-06016-00 | BOLT, FLANGE, 6X16           | 1                       |       |
|                                    |        | 12  | 96001-06020-00 | BOLT, FLANGE, 6X20           | 1                       |       |
|                                    |        | 13  | 96001-06028-00 | BOLT, FLANGE, 6X28           | 2                       |       |
|                                    |        | 14  | 96001-06032-00 | BOLT, FLANGE, 6X32           | 2                       |       |
|                                    |        | 15  | 96001-06050-00 | BOLT, FLANGE, 6X50           | 1                       |       |
|                                    |        | 16  | 96001-06070-00 | BOLT, FLANGE, 6X70           | 1                       |       |

# E - 11

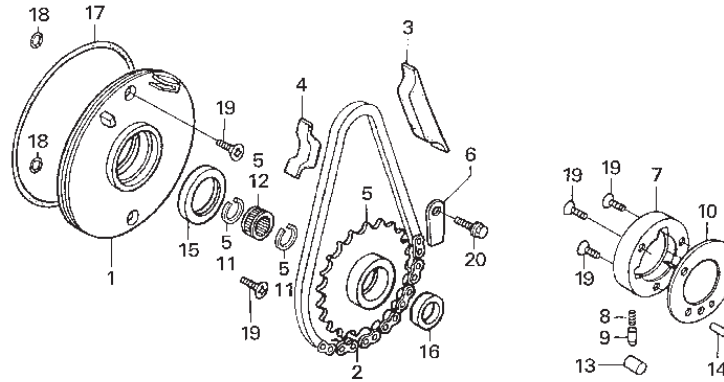
## Generator



| Service item              | F.R.T. | No. | Part Number    | Description                  | QTY<br>ANF100 / ANF100D | Notes |
|---------------------------|--------|-----|----------------|------------------------------|-------------------------|-------|
| 1 ROTOR OR FLYWHEEL ..... | 0.8    | 1   | 31110-KFV-841  | FLYWHEEL COMP.               | 1                       |       |
| 2 STATOR.....             | 0.7    | 2   | 31120-KTL-691  | STATOR COMP.                 | 1                       |       |
|                           |        | 3   | 31141-141-860  | CLAMPER, A.C. GENERATOR CORD | 1                       |       |
|                           |        | 4   | 90410-HC4-000  | WASHER, 10MM                 | 1                       |       |
|                           |        | 5   | 93301-05006-0H | BOLT, HEX., 5X6              | 1                       |       |
|                           |        | 6   | 93301-05010-0H | BOLT, HEX., 5X10             | 2                       |       |
|                           |        | 7   | 94050-10000    | NUT, FLANGE, 10MM            | 1                       |       |
|                           |        | 8   | 96001-06022-00 | BOLT, FLANGE, 6X22           | 2                       |       |

# E - 12

## Starting Clutch

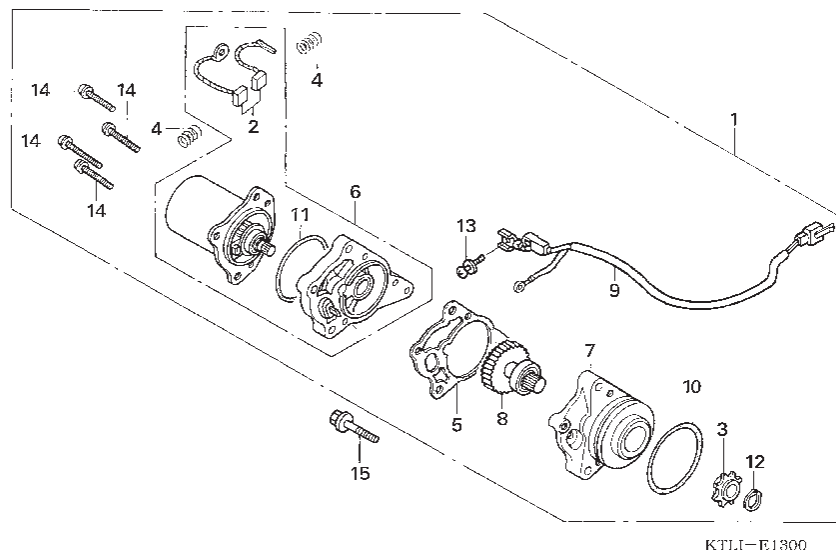


KTLI-E1200

| Service item                           | F.R.T. | No. | Part Number    | Description                           | QTY<br>ANF100 / ANF100D | Notes |
|--|--------|-----|----------------|---------------------------------------|-------------------------|-------|
| 1 BASE, STATOR.....                    | 0.9    | 1   | 11321-179-710  | PLATE, OIL SEPARATE                   | 1                       |       |
| 2 CHAIN, STARTER DRIVE.....            | 0.8    | 2   | 28101-GB4-701  | CHAIN, STARTING (DID25H-62LE) (DAIDO) | 1                       |       |
| 5 SPROCKET, STARTER DRIVEN.....        | 0.8    |     | 28101-GB4-702  | CHAIN, STARTING (TSUBAKIMOTO)         | 1                       |       |
| 7 OUTER, STARTING CLUTCH.....          | 0.8    | 3   | 28102-GB4-700  | GUIDE, STARTER CHAIN                  | 1                       |       |
| 13 ROLLER, STARTING CLUTCH.....        | 0.8    | 4   | 28103-GB4-700  | PROTECTOR, STARTER CHAIN              | 1                       |       |
| .NOTE: Same time for two units or more |        | 5   | 28110-GB4-700  | SPROCKET COMP., STARTING (41T)        | 1                       |       |
| 15 OIL SEAL, CRANKSHAFT :LEFT.....     | 0.9    | 6   | 28117-KFL-850  | PLATE, STARTING SPROCKET SETTING      | 1                       |       |
| 17 O-RING, STATOR BASE.....            | 0.9    | 7   | 28120-179-710  | OUTER, STARTING CLUTCH                | 1                       |       |
|  |        | 8   | 28125-179-710  | SPRING, STARTING CLUTCH ROLLER        | 3                       |       |
|  |        | 9   | 28126-253-030  | CAP, STARTING CLUTCH ROLLER SPRING    | 3                       |       |
|  |        | 10  | 28128-179-710  | PLATE, STARTING CLUTCH SIDE           | 1                       |       |
|  |        | 11  | 90464-GB2-701  | CIRCLIP, INTERNAL, 23                 | 2                       |       |
|  |        | 12  | 91005-GB2-701  | BEARING, NEEDLE, 19X23X13 (NTN)       | 1                       |       |
|  |        |     | 91005-GB2-702  | BEARING, NEEDLE, 19X23X13 (NSK)       | 1                       |       |
|  |        | 13  | 91101-179-710  | ROLLER, 10X10                         | 3                       |       |
|  |        | 14  | 91102-179-711  | ROLLER, 5X11.8                        | 1                       |       |
|  |        | 15  | 91201-GB4-691  | OIL SEAL, 30X42X4.5 (NOK)             | 1                       |       |
|  |        |     | 91201-GB4-692  | OIL SEAL, 30X42X4.5 (ARAI)            | 1                       |       |
|  |        | 16  | 91202-GB4-692  | OIL SEAL, 18.9X28X5 (ARAI)            | 1                       |       |
|  |        | 17  | 91301-035-003  | O-RING, 107X2 (ARAI)                  | 1                       |       |
|  |        | 18  | 91317-171-003  | O-RING, 6X1.7 (ARAI)                  | 2                       |       |
|  |        | 19  | 93600-06016-0A | SCREW, FLAT, 6X16                     | 5                       |       |
|  |        | 20  | 96001-06010-00 | BOLT, FLANGE, 6X10                    | 1                       |       |

# E - 13

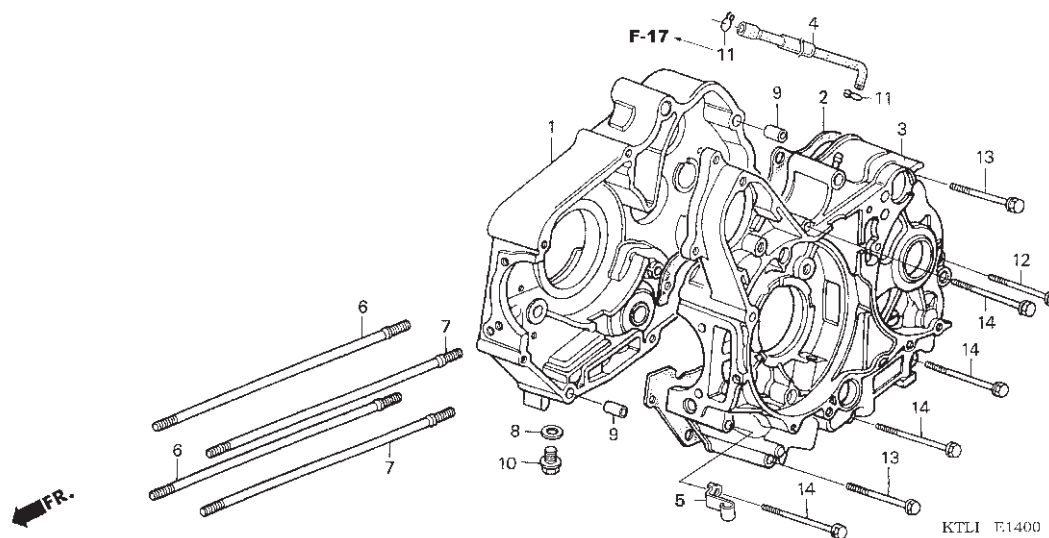
## Starting Motor



| Service item                    | F.R.T. | No. | Part Number    | Description                  | QTY<br>ANF100 / ANF100D | Notes |
|---------------------------------|--------|-----|----------------|------------------------------|-------------------------|-------|
| 1 MOTOR, STARTING.....          | 0.8    | 1   | 31200-KTL-690  | MOTOR ASSY., STARTING        | 1                       |       |
| 2 TERMINAL, BRUSH(STARTER)..... | 1.0    | 2   | 31201-187-701  | BRUSH SET                    | 1                       |       |
| 3 SPROCKET, STARTER DRIVE.....  | 0.8    | 3   | 31202-GB2-700  | SPROCKET (12T)               | 1                       |       |
| 5 GASKET, STARTER MOTOR.....    | 0.9    | 4   | 31204-187-701  | SPRING, BRUSH                | 2                       |       |
| 6 MOTOR UNIT, STARTING.....     | 0.9    | 5   | 31205-GB4-701  | PACKING                      | 1                       |       |
| 9 SUB HARNESS, STARTER.....     | 0.5    | 6   | 31208-GB4-701  | MOTOR COMP. (MITSUBA)        | 1                       |       |
|                                 |        | 7   | 31211-GB4-701  | CASE A, FR.                  | 1                       |       |
|                                 |        | 8   | 31213-GB4-701  | GEAR COMP., DRIVEN (MITSUBA) | 1                       |       |
|                                 |        | 9   | 32410-KTL-691  | SUB HARNESS A                | 1                       |       |
|                                 |        | 10  | 91308-GB4-701  | O-RING A                     | 1                       |       |
|                                 |        | 11  | 91309-GB2-701  | O-RING B                     | 1                       |       |
|                                 |        | 12  | 91309-GES-003  | CIRCLIP                      | 1                       |       |
|                                 |        | 13  | 93892-04006-08 | SCREW-WASHER, 4X6            | 1                       |       |
|                                 |        | 14  | 93892-05030-08 | SCREW-WASHER, 5X30           | 4                       |       |
|                                 |        | 15  | 96001-06045-00 | BOLT, FLANGE, 6X45           | 3                       |       |

# E - 14

## Crankcase

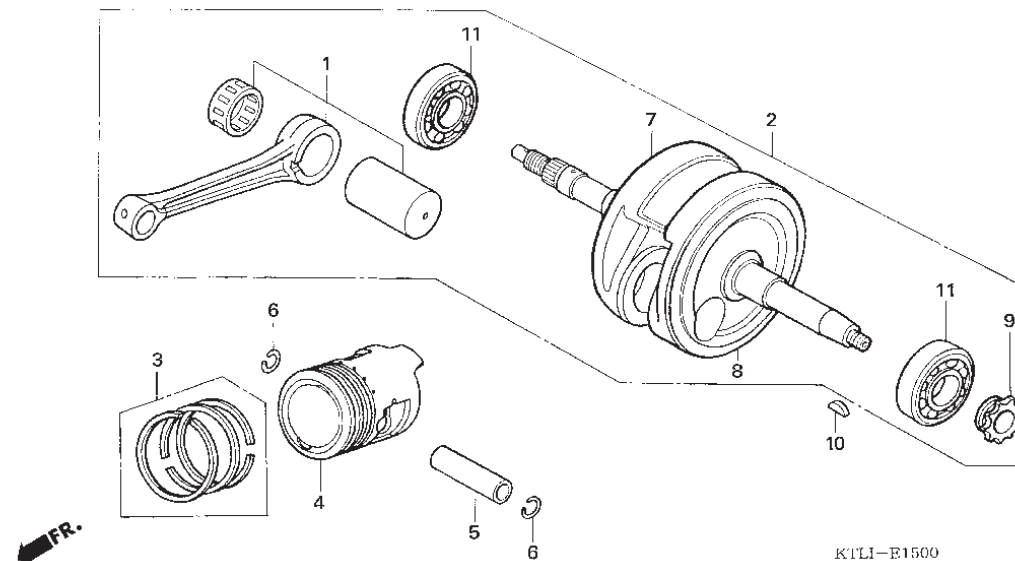


| Service item                               | F.R.T. | No. | Part Number    | Description                  | QTY<br>ANF100 / ANF100D | Notes |
|--|--------|-----|----------------|------------------------------|-------------------------|-------|
| 1 CRANKCASE :RIGHT.....                    | 4.5    | 1   | 11100-KEV-880  | CRANKCASE COMP., R.          | 1                       |       |
| .INCLUDES: Engine removal and installation |        | 2   | 11191-KFM-900  | GASKET, CRANKCASE            | 1                       |       |
| 3 CRANKCASE :BOTH.....                     | 5.0    | 3   | 11200-KFM-902  | CRANKCASE COMP., L.          | 1                       |       |
| .INCLUDES: Engine removal and installation |        | 4   | 15761-KTL-690  | TUBE, BREATHER               | 1                       |       |
| 5  |        | 5   | 16236-KFV-M20  | CLAMP, OVER FLOW TUBE        | 1                       |       |
| 2 GASKET, CRANKCASE.....                   | 3.9    | 6   | 90031-KFM-900  | BOLT A, STUD, 6X199.5X7      | 2                       |       |
| .INCLUDES: Engine removal and installation |        | 7   | 90032-KFM-900  | BOLT B, STUD, 6X207.5X7      | 2                       |       |
| 8  |        | 8   | 90407-259-000  | PACKING, DRAIN COCK, 12.5X20 | 1                       |       |
| 3 CRANKCASE :LEFT.....                     | 4.6    | 9   | 90703-HC4-000  | DOWEL PIN, 10X14             | 2                       |       |
| .INCLUDES: Engine removal and installation |        | 10  | 92800-12000    | BOLT, DRAIN PLUG, 12MM       | 1                       |       |
| 11   |        | 11  | 95002-50000    | CLIP, TUBE (C9)              | 2                       |       |
| CRANKCASE :BOTH.....                       | 5.0    | 12  | 96001-06050-00 | BOLT, FLANGE, 6X50           | 1                       |       |
| .INCLUDES: Engine removal and installation |        | 13  | 96001-06060-00 | BOLT, FLANGE, 6X60           | 2                       |       |
|  |        | 14  | 96001-06065-00 | BOLT, FLANGE, 6X65           | 4                       |       |



# E - 15

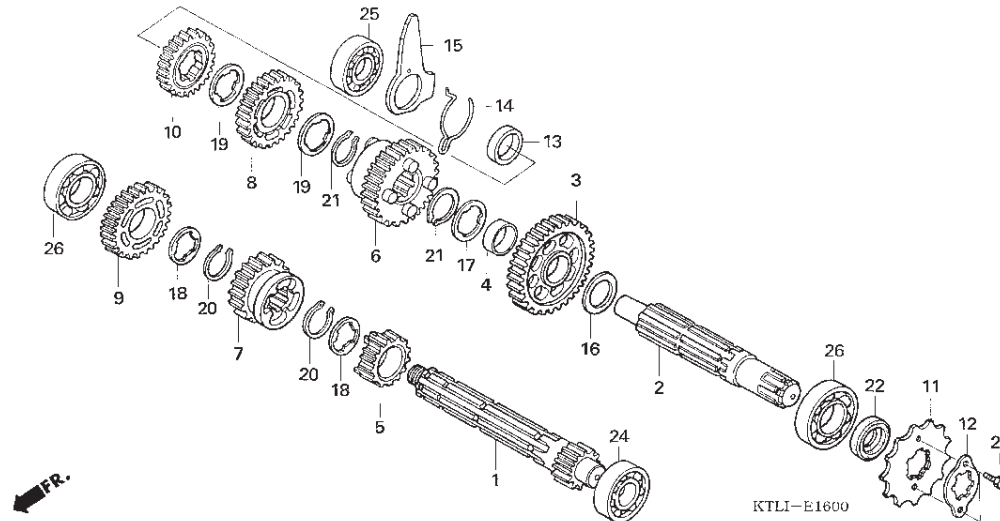
## Crankshaft / Piston



| Service item                               | F.R.T. | No. | Part Number   | Description                       | QTY<br>ANF100 / ANF100D | Notes |
|--|--------|-----|---------------|-----------------------------------|-------------------------|-------|
| 2 CRANKSHAFT.....                          | 4.3    | 1   | 06381-KFM-900 | ROD KIT, CONNECTING               | 1                       |       |
| .INCLUDES: Engine removal and installation |        | 2   | 13000-KTL-740 | CRANKSHAFT COMP.                  | 1                       |       |
| 4 RING, PISTON AND/OR PISTON (ONE)         | 1.5    | 3   | 13011-KFL-851 | RING SET, PISTON (STD.) (RIKEN)   | 1                       |       |
| 9 SPROCKET, TIMING.....                    | 4.2    |     | 13011-KFL-852 | RING SET, PISTON (STD.) (TEIKOKU) | 1                       |       |
| 11 BEARING, CRANKSHAFT :LEFT.....          | 4.5    |     | 13012-KFL-851 | RING SET, PISTON (0.25) (RIKEN)   | (1)                     |       |
| .INCLUDES: Engine removal and installation |        |     | 13012-KFL-852 | RING SET, PISTON (0.25) (TEIKOKU) | (1)                     |       |
| .INCLUDES: Timing sprocket                 |        |     | 13013-KFL-851 | RING SET, PISTON (0.50) (RIKEN)   | (1)                     |       |
| BEARING, CRANKSHAFT :RIGHT.....            | 4.3    |     | 13013-KFL-852 | RING SET, PISTON (0.50) (TEIKOKU) | (1)                     |       |
| .INCLUDES: Engine removal and installation |        |     | 13014-KFL-851 | RING SET, PISTON (0.75) (RIKEN)   | (1)                     |       |
| BEARING, CRANKSHAFT :BOTH.....             | 4.8    |     | 13014-KFL-852 | RING SET, PISTON (0.75) (TEIKOKU) | (1)                     |       |
| .INCLUDES: Engine removal and installation |        |     | 13015-KFL-851 | RING SET, PISTON (1.00) (RIKEN)   | (1)                     |       |
| .INCLUDES: Timing sprocket                 |        |     | 13015-KFL-852 | RING SET, PISTON (1.00) (TEIKOKU) | (1)                     |       |
|  |        | 4   | 13101-KFV-951 | PISTON (STD.)                     | 1                       |       |
|  |        |     | 13102-KFV-951 | PISTON (0.25)                     | (1)                     |       |
|  |        |     | 13103-KFV-951 | PISTON (0.50)                     | (1)                     |       |
|  |        |     | 13104-KFV-951 | PISTON (0.75)                     | (1)                     |       |
|  |        |     | 13105-KFV-951 | PISTON (1.00)                     | (1)                     |       |
|  |        | 5   | 13111-087-000 | PIN, PISTON                       | 1                       |       |
|  |        | 6   | 13115-GN5-910 | CLIP, PISTON PIN, 13MM            | 2                       |       |
|  |        | 7   | 13310-KTL-740 | CRANKSHAFT COMP., R.              | 1                       |       |
|  |        | 8   | 13321-KTL-740 | CRANKSHAFT, L.                    | 1                       |       |
|  |        | 9   | 14311-KFL-850 | SPROCKET, TIMING                  | 1                       |       |
|  |        | 10  | 90741-003-010 | KEY, WOODRUFF, 4MM                | 1                       |       |
|  |        | 11  | 91001-GF6-004 | BEARING, RADIAL BALL, 6304        | 2                       |       |

# E - 16

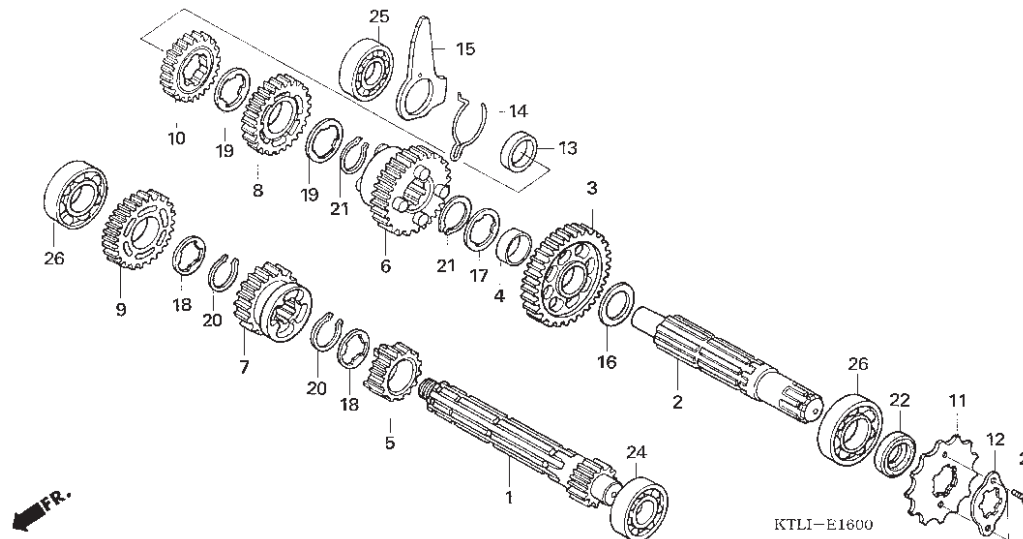
## Transmission



| Service item                                   | F.R.T. | No. | Part Number   | Description                     | QTY<br>ANF100 / ANF100D | Notes |
|--|--------|-----|---------------|---------------------------------|-------------------------|-------|
| 1 MAINSHAFT, TRANSMISSION.....                 | 4.1    | 1   | 23211-KFM-902 | MAINSHAFT (12T)                 | 1                       |       |
| .INCLUDES: Engine removal and installation     |        |     |               |                                 |                         |       |
| 2 COUNTERSHAFT, TRANSMISSION.....              | 4.1    | 2   | 23221-KFL-860 | SHAFT, COUNTER                  | 1                       |       |
| .Replace countershaft add 0.2                  |        |     |               |                                 |                         |       |
| 3 GEAR, COUNTERSHAFT LOW (34T)                 |        | 3   | 23421-KEV-901 | GEAR, COUNTERSHAFT LOW (34T)    | 1                       |       |
| 4 BUSH, 20X9                                   |        | 4   | 23422-GB4-770 | BUSH, 20X9                      | 1                       |       |
| 5 GEAR, MAINSHAFT SECOND (17T)                 |        | 5   | 23431-KEV-911 | GEAR, MAINSHAFT SECOND (17T)    | 1                       |       |
| 6 GEAR, COUNTERSHAFT SECOND (29T)              |        | 6   | 23441-KEV-901 | GEAR, COUNTERSHAFT SECOND (29T) | 1                       |       |
| 7 GEAR, MAINSHAFT THIRD (21T)                  |        | 7   | 23451-KFL-852 | GEAR, MAINSHAFT THIRD (21T)     | 1                       |       |
| 8 GEAR, COUNTERSHAFT THIRD (26T)               |        | 8   | 23461-GK4-763 | GEAR, COUNTERSHAFT THIRD (26T)  | 1                       |       |
| 9 GEAR, MAINSHAFT FOURTH (24T)                 |        | 9   | 23471-KEV-750 | GEAR, MAINSHAFT FOURTH (24T)    | 1                       |       |
| 10 GEAR, COUNTERSHAFT FOURTH (23T)             |        | 10  | 23481-GB4-771 | GEAR, COUNTERSHAFT FOURTH (23T) | 1                       |       |
| 11 SPROCKET, DRIVE.....                        | 0.2    | 11  | 23801-GF6-002 | SPROCKET, DRIVE (14T)           | 1                       |       |
| 24 BEARING, MAINSHAFT :LEFT.....               | 4.1    | 12  | 23802-GN5-910 | PLATE, FIXING                   | 1                       |       |
| .INCLUDES: Engine removal and installation     |        |     |               |                                 |                         |       |
| BEARING, MAINSHAFT :BOTH.....                  | 4.3    | 13  | 23911-GB4-770 | COLLAR                          | 1                       |       |
| .INCLUDES: Engine removal and installation     |        |     |               |                                 |                         |       |
| BEARING, MAINSHAFT AND COUNTERSHAFT :ALL ..... | 4.5    | 14  | 24305-GB4-770 | SPRING                          | 1                       |       |
| .INCLUDES: Engine removal and installation     |        |     |               |                                 |                         |       |
| 25 BEARING, COUNTERSHAFT :RIGHT....            | 4.1    | 15  | 24306-GB4-770 | PLATE, GEARSHIFT DRUM LOCK      | 1                       |       |
| .INCLUDES: Engine removal and installation     |        |     |               |                                 |                         |       |
| BEARING, COUNTERSHAFT :BOTH.....               | 4.3    | 16  | 90452-GB4-770 | WASHER, THRUST, 17MM            | 1                       |       |
| .INCLUDES: Engine removal and installation     |        |     |               |                                 |                         |       |
| BEARING, MAINSHAFT AND COUNTERSHAFT :ALL.....  | 4.5    | 17  | 90461-GB4-770 | WASHER, SPLINE, 20X1.2          | 1                       |       |
| .INCLUDES: Engine removal and installation     |        |     |               |                                 |                         |       |
| BEARING, MAINSHAFT AND COUNTERSHAFT :ALL.....  | 4.5    | 18  | 90461-035-000 | WASHER, SPLINE, 17MM            | 2                       |       |
| .INCLUDES: Engine removal and installation     |        |     |               |                                 |                         |       |
| BEARING, MAINSHAFT AND COUNTERSHAFT :ALL.....  | 4.5    | 19  | 90461-459-010 | WASHER, SPLINE, 20MM            | 2                       |       |
| .INCLUDES: Engine removal and installation     |        |     |               |                                 |                         |       |
| BEARING, MAINSHAFT AND COUNTERSHAFT :ALL.....  | 4.5    | 20  | 90601-001-000 | CIRCLIP, EXTERNAL, 17MM         | 2                       |       |
| .INCLUDES: Engine removal and installation     |        |     |               |                                 |                         |       |

# E - 16

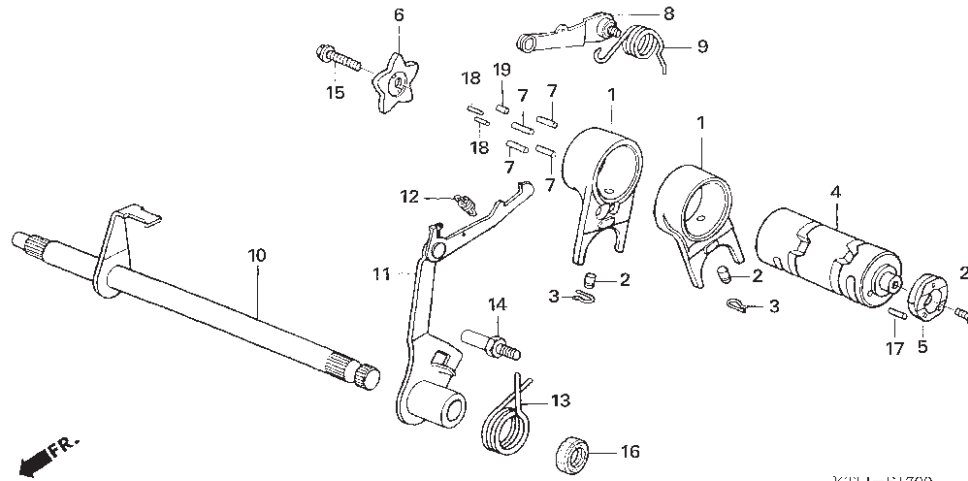
## Transmission



| Service item                                     | F.R.T. | No. | Part Number    | Description                | QTY<br>ANF100 / ANF100D | Notes |
|--|--------|-----|----------------|----------------------------|-------------------------|-------|
| 26 BEARING, MAINSHAFT :RIGHT.....                | 4.1    | 21  | 90601-459-000  | CIRCLIP, 20MM              | 2                       |       |
| .INCLUDES: Engine removal and installation       |        | 22  | 91203-GB5-761  | OIL SEAL, 17X29X5 (NOK)    | 1                       |       |
|  |        |     | 91203-GB5-762  | OIL SEAL, 17X29X5 (ARAI)   | 1                       |       |
| BEARING, MAINSHAFT :BOTH.....                    | 4.3    | 23  | 92101-06010-0A | BOLT, HEX., 6X10           | 2                       |       |
| .INCLUDES: Engine removal and installation       |        | 24  | 96100-60010-00 | BEARING, RADIAL BALL, 6001 | 1                       |       |
| BEARING, COUNTERSHAFT :LEFT.....                 | 4.1    | 25  | 96100-62010-00 | BEARING, RADIAL BALL, 6201 | 1                       |       |
| .INCLUDES: Engine removal and installation       |        | 26  | 96100-62030-00 | BEARING, RADIAL BALL, 6203 | 2                       |       |
| BEARING, COUNTERSHAFT :BOTH.....                 | 4.3    |     |                |                            |                         |       |
| .INCLUDES: Engine removal and installation       |        |     |                |                            |                         |       |
| BEARING, MAINSHAFT AND<br>COUNTERSHAFT :ALL..... | 4.5    |     |                |                            |                         |       |
| .INCLUDES: Engine removal and installation       |        |     |                |                            |                         |       |

# E - 17

## Gearshift Drum

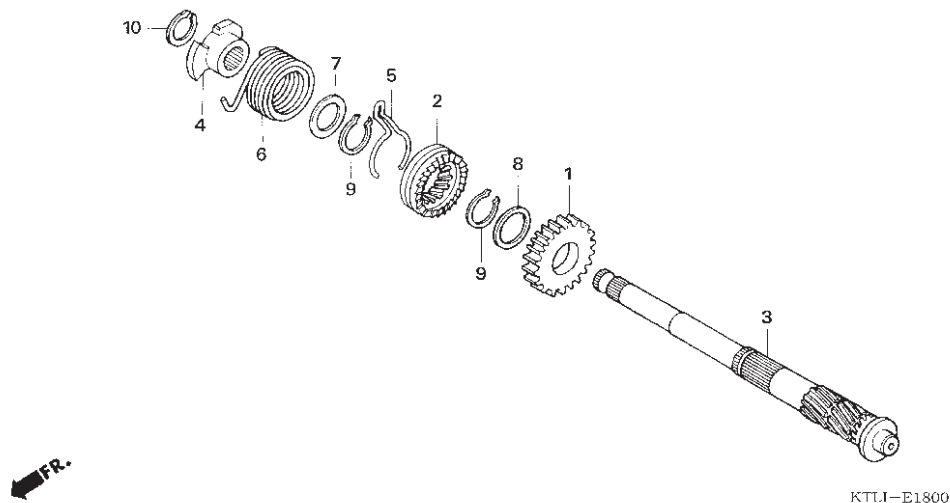


K1L1-E1700

| Service item                               | F.R.T. | No. | Part Number    | Description                    | QTY<br>ANF100 / ANF100D | Notes |
|--|--------|-----|----------------|--------------------------------|-------------------------|-------|
| 1 FORK, GEARSHIFT.....                     | 4.1    | 1   | 24211-KFM-900  | FORK, GEARSHIFT                | 2                       |       |
| .INCLUDES: Engine removal and installation |        |     |                |                                |                         |       |
| .NOTE: Same time for two units             |        |     |                |                                |                         |       |
| 4 DRUM, GEARSHIFT.....                     | 4.1    | 5   | 24320-KFL-850  | DRUM, GEARSHIFT                | 1                       |       |
| .INCLUDES: Engine removal and installation |        |     |                |                                |                         |       |
| 6 PLATE, GEARSHIFT DRUM STOPPER            | 1.1    | 6   | 24411-GB4-771  | PLATE, GEARSHIFT DRUM STOPPER  | 1                       |       |
| 8 STOPPER OR SPRING, SHIFT DRUM            | 1.1    | 7   | 24421-200-000  | PIN, GEARSHIFT DRUM            | 4                       |       |
| 10 SPINDLE, GEARSHIFT.....                 | 1.2    | 8   | 24430-GB4-772  | ARM COMP., SHIFT DRUM STOPPER  | 1                       |       |
| 11 ARM, GEARSHIFT.....                     | 1.2    | 9   | 24435-GB4-772  | SPRING, GEARSHIFT DRUM STOPPER | 1                       |       |
|  |        | 10  | 24601-GN5-902  | SPINDLE COMP., GEARSHIFT       | 1                       |       |
|  |        | 11  | 24630-GN5-942  | ARM COMP., GEARSHIFT           | 1                       |       |
|  |        | 12  | 24641-041-000  | SPRING, GEARSHIFT ARM          | 1                       |       |
|  |        | 13  | 24651-041-000  | SPRING, GEARSHIFT RETURN       | 1                       |       |
|  |        | 14  | 24652-035-000  | PIN, SHIFT RETURN SPRING       | 1                       |       |
|  |        | 15  | 90071-171-010  | BOLT, KNOCK, 6MM               | 1                       |       |
|  |        | 16  | 91208-KB4-671  | OIL SEAL, 11.6X24X10 (ARAI)    | 1                       |       |
|  |        | 17  | 94305-20062    | PIN, SPRING, 2X6               | 1                       |       |
|  |        | 18  | 96220-30085    | ROLLER, 3X8.5                  | 2                       |       |
|  |        | 19  | 96220-40100    | ROLLER, 4X10                   | 1                       |       |
|  |        | 20  | 96700-06016-10 | BOLT, SOCKET, 6X16             | 1                       |       |

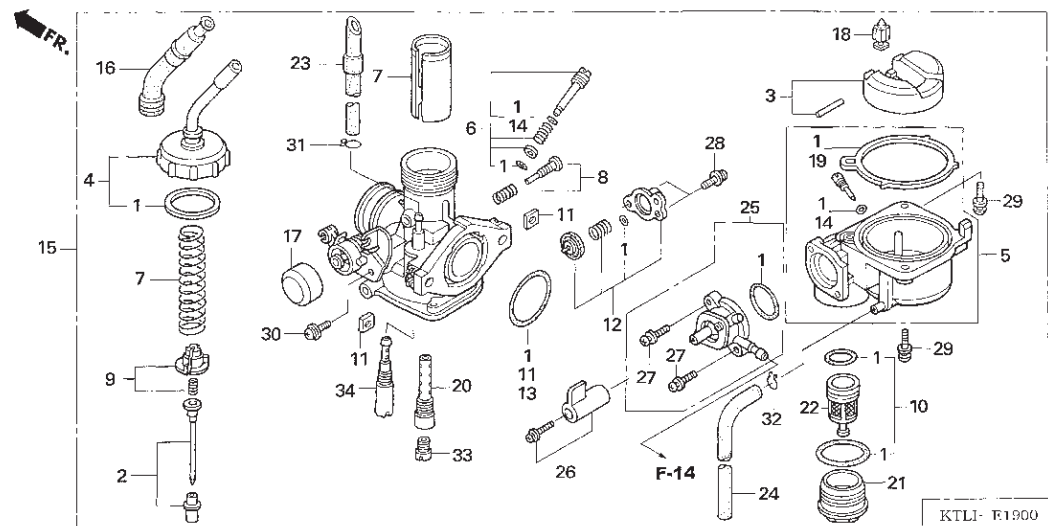
# E - 18

## Kick Starter Spindle



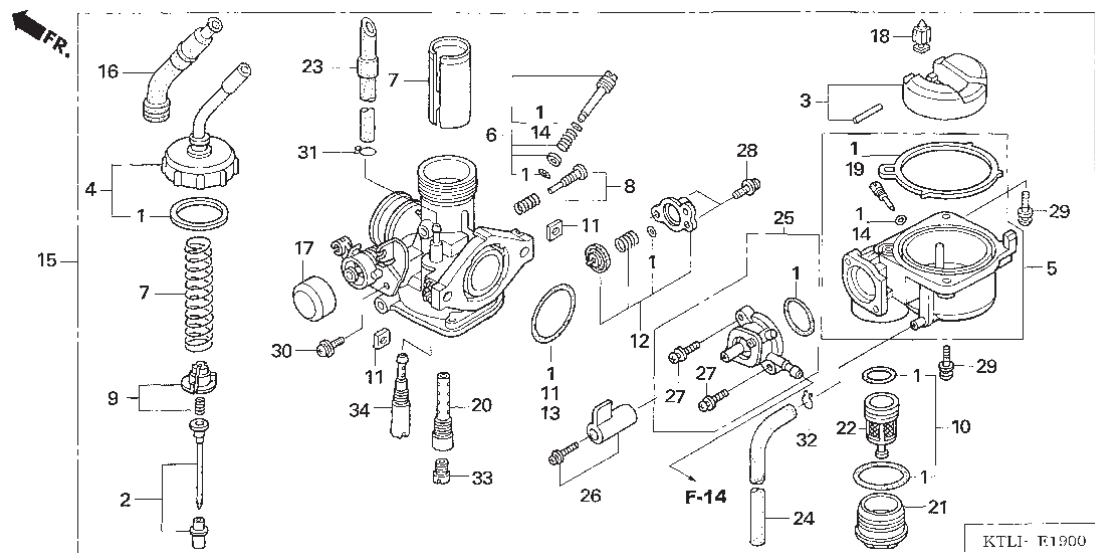
| Service item                       | F.R.T. | No. | Part Number   | Description                           | QTY<br>ANF100 / ANF100D | Notes |
|------------------------------------|--------|-----|---------------|---------------------------------------|-------------------------|-------|
| 1 PINION, KICK STARTER.....        | 4.0    | 1   | 28211-178-000 | PINION, KICK STARTER (22T)            | 1                       |       |
|                                    |        | 2   | 28221-178-000 | RATCHET, STARTER DRIVE                | 1                       |       |
|                                    |        | 3   | 28251-KEV-900 | SPINDLE, KICK STARTER                 | 1                       |       |
| 3 SPINDLE, KICK STARTER.....       | 4.0    | 4   | 28262-041-731 | RETAINER, KICK SPRING                 | 1                       |       |
|                                    |        | 5   | 28271-121-690 | SPRING, STARTER PINION FRICTION       | 1                       |       |
| 6 SPRING, KICK STARTER RETURN..... | 1.1    | 6   | 28281-035-003 | SPRING, KICK STARTER (NIPPON HATSUJO) | 1                       |       |
|                                    |        | 7   | 90452-115-000 | WASHER, 17MM                          | 1                       |       |
|                                    |        | 8   | 90454-107-000 | WASHER, THRUST, 20MM                  | 1                       |       |
|                                    |        | 9   | 90605-200-000 | SET RING, 20MM                        | 2                       |       |
|                                    |        | 10  | 94510-16000   | CIRCLIP, EXTERNAL, 16MM               | 1                       |       |

# E - 19 Carburetor



| Service item                | F.R.T. | No. | Part Number   | Description                | QTY<br>ANF100 / ANF100D | Notes |
|-----------------------------|--------|-----|---------------|----------------------------|-------------------------|-------|
| 2 NEEDLE, JET.....          | 0.8    | 1   | 16010-KRS-601 | GASKET SET                 | 1                       |       |
| 3 FLOAT OR FLOAT VALVE..... | 0.6    | 2   | 16012-KTL-851 | NEEDLE SET, JET            | 1                       |       |
| 4 TOP SET, CARBURETOR.....  | 0.4    | 3   | 16013-KEV-900 | FLOAT SET                  | 1                       |       |
| 5 CHAMBER, FLOAT.....       | 0.5    | 4   | 16014-KTL-741 | TOP SET                    | 1                       |       |
| 7 VALVE, THROTTLE.....      | 0.5    | 5   | 16015-KTL-741 | CHAMBER SET, FLOAT         | 1                       |       |
| 12 VALVE, AIR CUT.....      | 0.2    | 6   | 16016-KTL-691 | SCREW SET                  | 1                       |       |
| 15 CARBURETOR ASSEMBLY..... | 0.7    | 7   | 16022-KFM-901 | VALVE SET, THROTTLE        | 1                       |       |
| 25 COCK ASSY., FUEL.....    | 0.3    | 8   | 16028-KFM-901 | SCREW SET                  | 1                       |       |
| 33 JET, MAIN.....           | 0.6    | 9   | 16037-KRS-601 | PLATE SET, VALVE           | 1                       |       |
|                             |        | 10  | 16040-KEV-900 | GASKET SET                 | 1                       |       |
|                             |        | 11  | 16041-GB5-D30 | NUT SET, SQUARE            | 1                       |       |
|                             |        | 12  | 16048-KPH-901 | VALVE SET, AIR CUT         | 1                       |       |
|                             |        | 13  | 16075-GHB-B40 | O-RING, 2.4X25             | 1                       |       |
|                             |        | 14  | 16075-GHB-640 | O-RING, 1.3X4.3            | 2                       |       |
|                             |        | 15  | 16100-KTL-691 | CARBURETOR ASSY. (PB5JD A) | 1                       |       |
|                             |        | 16  | 16118-KTL-741 | CAP, CABLE SEALING         | 1                       |       |
|                             |        | 17  | 16148-141-881 | CAP, CHOKE DUST            | 1                       |       |
|                             |        | 18  | 16155-KRS-861 | VALVE COMP., FLOAT         | 1                       |       |
|                             |        | 19  | 16163-GBG-960 | GASKET, FLOAT CHAMBER      | 1                       |       |
|                             |        | 20  | 16165-KTL-741 | HOLDER, NEEDLE JET         | 1                       |       |

# E - 19 Carburetor



| Service item | F.R.T. | No. | Part Number    | Description           | QTY<br>ANF100 / ANF100D | Notes |
|--------------|--------|-----|----------------|-----------------------|-------------------------|-------|
|              |        | 21  | 16175-GB0-911  | CUP, FUEL STRAINER    | 1                       |       |
|              |        | 22  | 16176-GB0-911  | SCREEN, FUEL STRAINER | 1                       |       |
|              |        | 23  | 16199-KTL-741  | TUBE, AIR VENT        | 1                       |       |
|              |        | 24  | 16199-428-771  | TUBE, OVERFLOW        | 1                       |       |
|              |        | 25  | 16951-KPW-901  | BODY SET, COCK        | 1                       |       |
|              |        | 26  | 16963-KPW-901  | LEVER SET, COCK       | 1                       |       |
|              |        | 27  | 93892-03012-18 | SCREW-WASHER, 3X12    | 2                       |       |
|              |        | 28  | 93892-04010-18 | SCREW-WASHER, 4X10    | 2                       |       |
|              |        | 29  | 93892-04018-18 | SCREW-WASHER, 4X18    | 2                       |       |
|              |        | 30  | 93892-05010-18 | SCREW-WASHER, 5X10    | 1                       |       |
|              |        | 31  | 95002-02089    | CLIP, TUBE (B8)       | 1                       |       |
|              |        | 32  | 95002-02659    | CLIP, TUBE (B6.5)     | 1                       |       |
|              |        | 33  | 99101-KRL-0720 | JET, MAIN, #72        | 1                       |       |
|              |        | 34  | 99103-KFM-0420 | JET, SLOW, #42        | 1                       |       |