



KLIK PADA KELOMPOK ITEM YANG DICARI

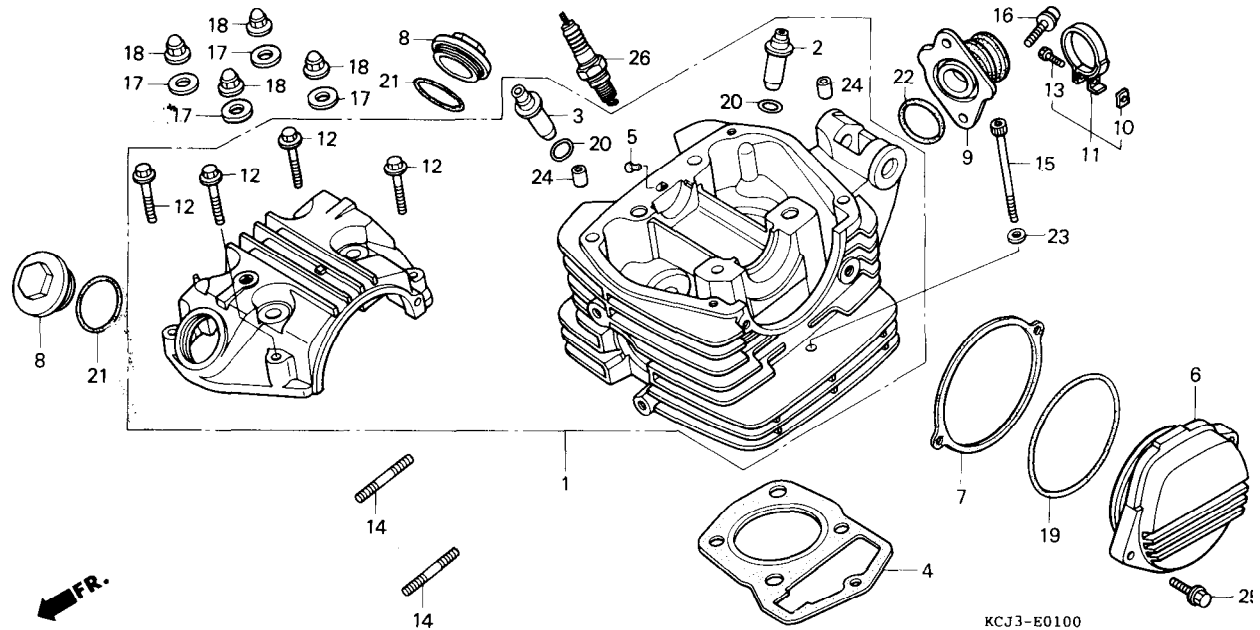
TIGER

KELOMPOK ENGINE

- | | | | |
|----|-----------------------|-----|----------------------|
| E1 | Cylinder head | E9 | Generator |
| E2 | Cam shaft/Valve | E10 | Starting gear |
| E3 | Cam chain/Tensioner | E11 | Starting motor |
| E4 | Cylinder | E12 | Crankcase |
| E5 | Right crankcase cover | E13 | Crankshaft/Piston |
| E6 | Clutch | E14 | Transmission |
| E7 | Oil pump | E15 | Gearshift drum |
| E8 | Left crankcase cover | E16 | Kick starter spindle |
| | | E17 | Carburetor |

E - 1

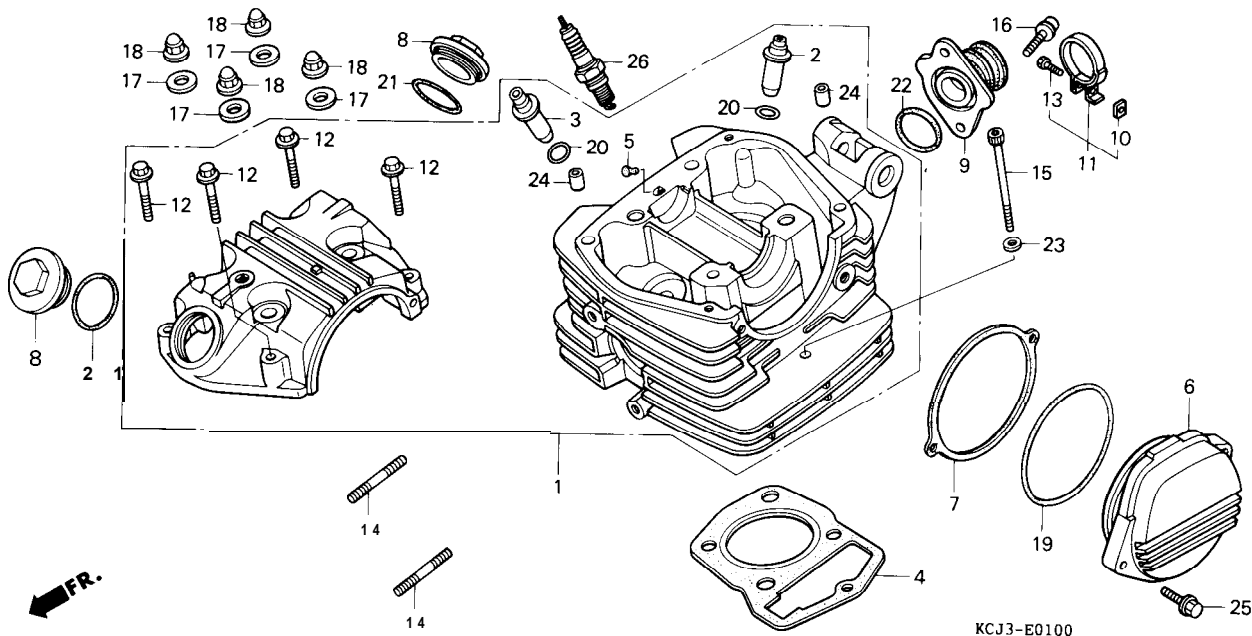
Cylinder head



Service item Bagian yang diservis	F. R. T.	Ref.No. Nomor Petunjuk	Part No. Nomor Part	Description Nama - Part	Reqd. No. Jumlah GL 200	Serial No. Nomor Serie	Notes. Catatan
HEAD ASSY., CYLINDER.....	*4.0	1	12000-KCN-000	HEAD ASSY., CYLINDER.....	1		
GUIDE, VALVE.....	*3.8	2	12204-439-305	GUIDE, IN. VALVE.....	1		
(Inc. REAMING - termasuk reaming)		3	12206-KCN-305	GUIDE, EX. VALVE.....	1		
ADD 0.3 FOR EACH. tambahkan 0,3 untuk masing ²)		4	12251 -KCN-003	GASKET, CYLINDER HEAD.....	1		
ADD 0.7 FOR EACH. tambahkan 0,7 untuk masing ²)		5	12271-383-000	RUBBER, OIL SEAL.....	1		
ADD MORE 0.2 IF PERFORMED. tambahkan 0,2 lagi jika dilaksanakan)		6	12331-KCJ-710	COVER, L. C YLINDER HEAD.....	1		
GASKET, CYLINDER HEAD.....	*2.8	7	12339-KCJ-710	GASKET, PULSE GENERATOR BASE ..	1		
COVER, L. CYLINDER HEAD.....	0.2	8	12361-383-000	CAP, TAPPET ADJUSTING HOLE ...	2		
INSULATOR, CARBURETOR.....	0.3	9	16210-KCJ-710	INSULATOR, CARBURETOR	1		
BOLT STUD, 7X29 ADD 0.1 FOR EACH. tambahkan 0,1 untuk masing ²)	0.1	10	16222-MV4-300	NUT, SQUARE, 5MM.....	1		
LUG, SPARK.....		11	16223-KS5-000	BAND, INSULATOR	1		
		12	90001 -GHB-700	BOLT, FLANGE, 6X35.....	4		
		13	90023-MM5-000	BOLT, RECESSED, 5x28.....	1		
		14	90041 -KBB-900	BOLT, STUD, 7X29.....	2		
		15	90081 -KBB-900	BOLT, SOCKET, 6X118.....	1		
		16	90091 -MM5-640	BOLT, SOCKET, 6X22.....	2		
		17	90442-028-000	WASHER, SEALING, 8MM.....	4		
		18	90443-107-000	NUT, CAP, 8MM.....	4		
		19	91301-1 07-000	O-RING, 75X2.5	1		
		20	91301-200-000	O-RING, 10X1.6	2		
		21	91303-KK3-830	O-RING, 35x3	2		
		22	91304-HB3-003	O-RING, 33.5X3.0	1		
		23	94101-06000	W A SHER, PLAIN, 6MM.....	1		
		24	94301-08140	PIN, DOWEL, 8X14.....	2		
		25	96001-06022-00	BOLT, FLANGE, 4X22.....	2		
			1993.10.01				

E - 1

Cylinder head



Service i tern
Bagian yang diservis

F. R. T.

Ref.No. Part No.
Nomor Nomor Part
Petunjuk

Description
Nama - Part

Reqd. No.
Jumlah
GL 200

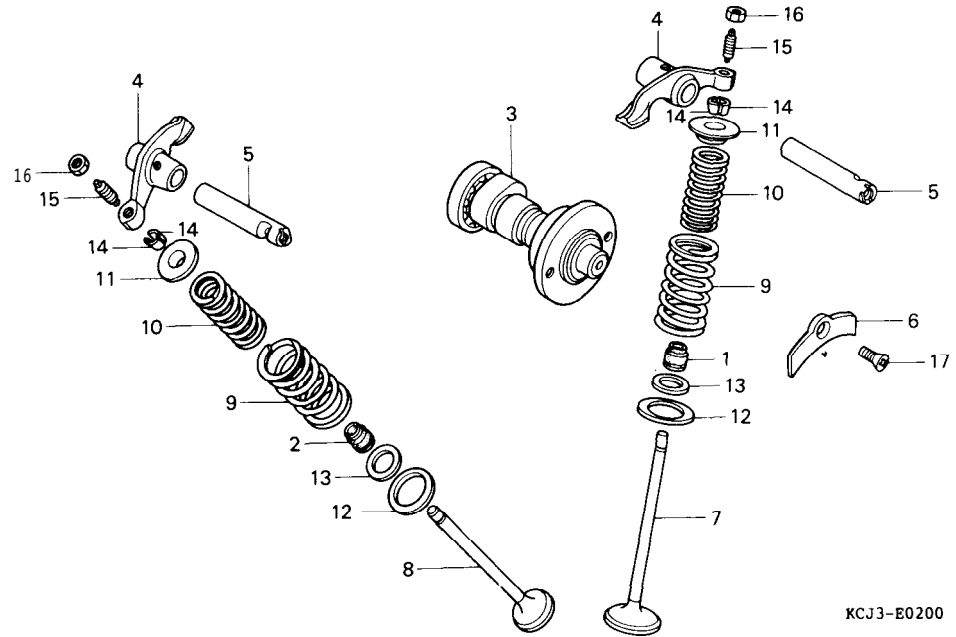
Serial No.
Nomor Serie

Notes
Catatan

26		PLUG, SPARK (DP8EA-9NGK)..... 1
98069-58921		PLUG, SPARK (X24EP-U9 ND)..... 1

E - 2

Camshaft-Valve

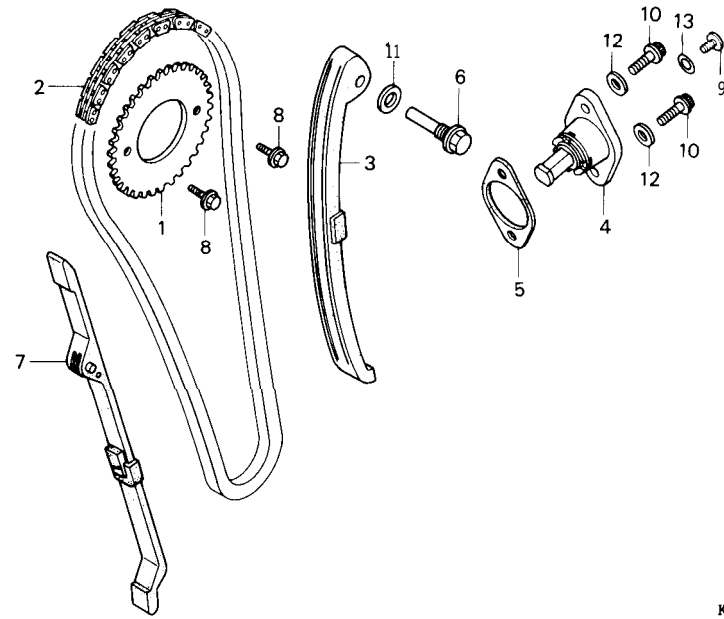


KCJ3-E0200

Service item Bagian yang diservis	F. R. T.	Ref.No. Nomor Petunjuk	Part No. Nomor Part	Description Nama Parr	Reqd. No. Jumlah GL 200	Serial No. Nomor Serie	Notes Catatan
CAMSHAFT COMP.....	*2.8	1	12209-KL4-005	SEAL, VALVE STEM.....	1		
ARM, VALVE ROCKER.....	*2.4	2	12209-428-003	SEAL, VALVE STEM (ARAI).....	1		
(ADD 0.1 FOR EACH. tambahkan 0,1 untuk masing ²)		3	14100-KCJ-710	CAMSHAFT COMP.....	1		
VALVE.....	*3.6	4	14431-383-000	ARM, VALVE ROCKER.....	2		
(ADD 0.2 FOR EACH. tambahkan 0,2 untuk masing ²)		5	14451-437-000	SHAFT, VALVE ROCKER ARM.....	2		
(INC. REFACING - termasuk skur klep) (EXC. VALVE GUIDE REPLACEMENT, kecuali penggantian valve guide)		6	14456-KG2-950	PLATE, VALVE ROCKER ARM SHAFT SETTING	1		
SPRING, VALVE INNER.....	*3.4	7	14711-KBB-900	VALVE, IN.....	1		
(ADD 0.1 FOR EACH. tambahkan 0,1 untuk masing ²)		8	14721-KBB-900	VALVE, EX.....	1		
(INC. RELATIVE PART termasuk part yang berhubungan)		9	14751-383-005	SPRING, VALVE OUTER (NIPPON)..	2		
		10	14761-383-005	SPRING, VALVE INNER (NIPPON)..	2		
		11	14771-107-020	RETAINER, VALVE SPRING.....	2		
		12	14775-107-000	SEAT, VALVE SPRING OUTER.....	2		
		13	14776-107-010	SEAT, VALVE SPRING INNER.....	2		
		14	14781-MB4-000	COTTER, VALVE.....	4		
		15	90012-KN6-930	SCREW, TAPPET ADJUSTING.....	2		
		16	90206-250-000	NUT, TAPPET ADJUSTING.....	2		
		17	93600-06016-0A	SCREW, FLAT, 6X16.....	1		

E - 3

Cam chain•Tensioner

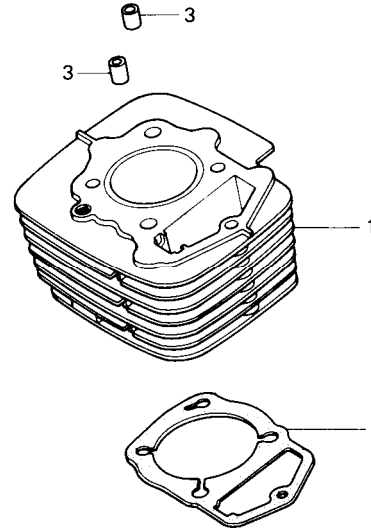


KCJ3-E0300

Service item Bagianyang diservis	F.R.T.	Ref.No. Nomor Petunjuk	Part No. Nomor Part	Description Nama-Part	Reqd. No. Jumlah GL 288	Serial No. Nomor Serie	Notes Catatan
SPROCKET, CAM.....	. 0.7	1	14321-KN6-930	SPROCKET, CAM (34T).....	1		
CHAIN, CAM.....	. 1.6	2	14401-KBB-901	CHAIN, CAM (102L).....	1		
TENSIONER, CAM CHAIN.....	. 1.7	3	14500-KBB-900	TENSIONER, CAM CHAIN.....	1		
LIFTER ASSY., TENSIONER....	Ø . 4	4	14520-KY7-000	LIFTER ASSY., TENSIONER.....	1		
GASKET, TENSIONER LIFTER		5	14523-KBB-901	GASKET, TENSIONER LIFTER.....	1		
GUIDE, CAM CHAIN.....	. *2.8	7	14550-KCJ-710	GUIDE, CAM CHAIN.....	1		
		6	14535-437-000	BOLT, CAM CHAIN TENSIONER PIVOT	1		
		8	90002-KW1-900	BOLT, FLANGE, 6X10.....	1		
		9	90005-KY7-000	SCREW, PAN, 6 X 6.....	1		
		10	90071-MG8-000	BOLT, FLANGE SOCKET, 6X16.....	2		
		11	90475-703-000	WASHER C, 8MM.....	1		
		12	90488-425-000	WASHER, SEALING, 6MM.....	2		
		13	91306-MG3-000	O-RING, 1.5 X 9.5.....	1		

E - 4

Cylinder

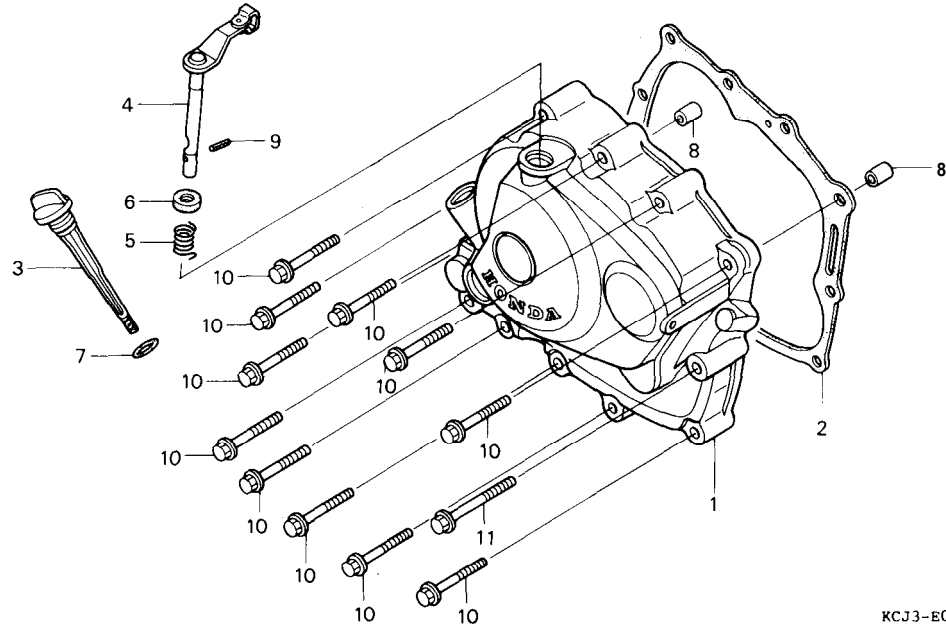


KCJ3-E0400

Service item Bagian yang diservis	F. R. T.	Ref.No. Nomor Petunjuk	Part No. Nomor Part	Description Nama Part	Reqd. No. Jumlah GL 200	Serial No. Nomor Serie	Notes Catatan
CYLINDER COMP.....*3.1		1	121 00-KCN-000	CYLINDER COMP.....1			
GASKET, CYLINDER..... m3.0		2	12191-437-020	GASKET, CYLINDER..... 1			
		3	94301-10200	PIN A, DOWEL, 10X20..... 2			

E - 5

Right crankcase cover

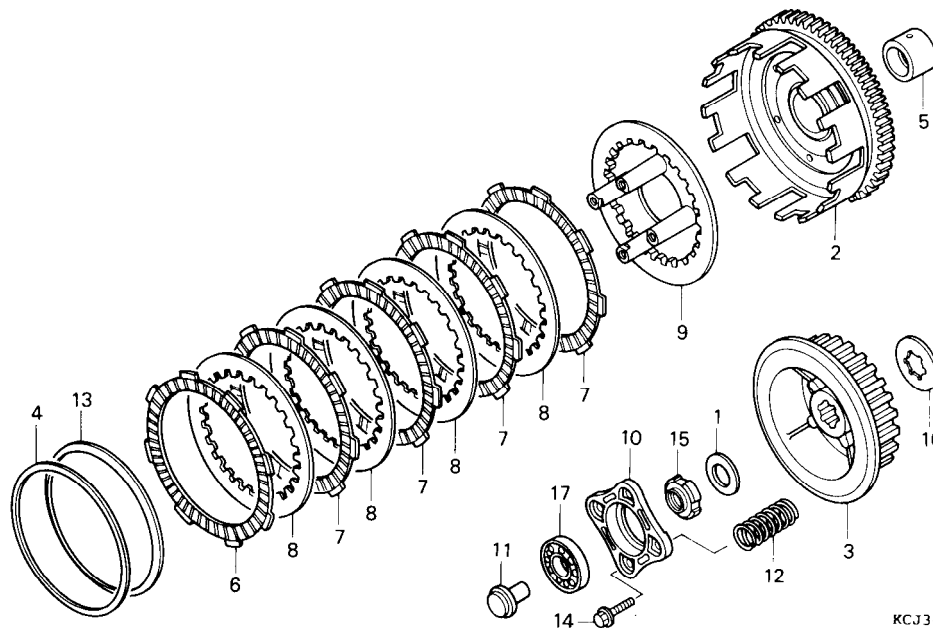


KCJ3-E0500

Service Item Bagian yang diservis	F. R. T.	Ref.No. Nomor Petunjuk	Part No. Nomor Part	Description Nama - Part	Reqd. No. Jumlah GL 200	Serial No. Nomor Serie	Notes Catatan
COVER COMP., R. CRANKCASE.....	0.8	1	11330-KCJ-710	COVER COMP., R. CRANKCASE.....	1		
GASKET, R. COVER.....	0.7	2	11393-KCJ-710	GASKET, R. COVER.....	1		
GAUGE, OIL LEVEL.....		3	15650-KCN-000	GAUGE, OIL LEVEL.....	1		
LEVER COMP., CLUTCH		4	22810-KBB-900	LEVER COMP., CLUTCH.....	1		
OIL SEAL, 12X22X5		5	22815-428-000	SPRING, CLUTCH LEVER.....	1		
		6	91201-148-003	OIL SEAL, 12X22X5 (ARAI).....	1		
		7	91307-035-000	O-RING, 18X3.....	1		
		8	94301-08140	PIN, DOWEL, 8X14.....	2		
		9	94305-30102	PIN, SPRING, 3X10.....	1		
		10	96001-06040-00	BOLT, FLANGE, 6X40.....	11		
		11	96001-06050-00	BOLT, FLANGE, 6X50.....	1		

E - 6

Clutch



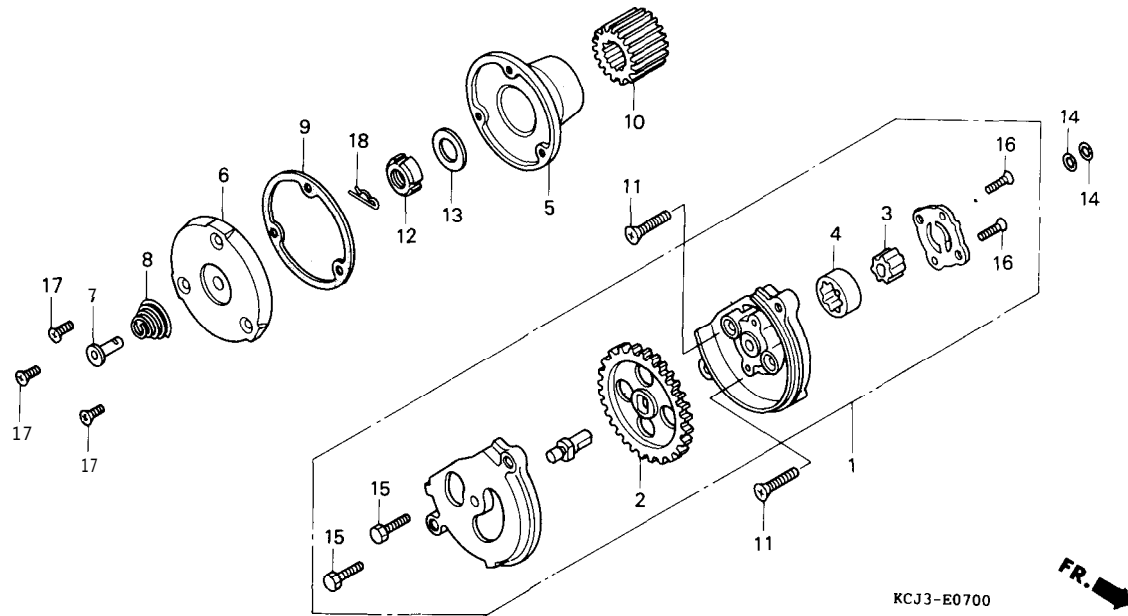
KCJ3-E0600



Service item Bagian yang diservis	F. R. T.	Ref.No. Nomor Petunjuk	Part No. Nomor Part	Description Nama - Part	Reqd. No. Jumlah GL 200	Serial No. Nomor Serie	Notes Catatan
OUTER COMP., CLUTCH.....	1.1	1	15451-107-000	WASHER, OIL FILTER ROTOR LOCKING	1		
.CENTER COMP., CLUTCH		2	22100-KCN-000	OUTER COMP., CLUTCH	1		
.DISK, CLUTCH FRICTION (ONE OR ALL - satu atau semuanya)		3	22121-KCS-650	CENTER COMP., CLUTCH	1		
(INC. RELATIVE PART - termasuk part yang berhubungan)		4	22125-KW7-900	SEAT, JUDDER SPRING	1		
.PLATE, CLUTCH PRESSURE		5	22131-KCN-000	GUIDE, CLUTCH OUTER	1		
ROD, CLUTCH LIFTER.....	0.7	6	22201-MJ8-000	DISK, CLUTCH FRICTION	1		
SPRING, CLUTCH.....	0.8	7	22201-166-000	DISK, CLUTCH FRICTION	4		
(ONE OR ALL- satu atau semuanya)		8	22311-62040H	PLATE, CLUTCH	4		
		9	22350-107-010	PLATE, CLUTCH PRESSURE	1		
		10	22361-437-000	PLATE, CLUTCH LIFTER.....	1		
		11	22366-KCJ-710	ROD, CLUTCH LIFTER	1		
		12	22401-KCJ-710	SPRING, CLUTCH	4		
		13	22402-KW7-900	SPRING, JUDDER	1		
		14	90050-357-000	BOLT, SPECIAL FLANGE, 6X22	4		
		15	90231-KB5-720	NUT, LOCK, 16MM	1		
		16	90461-107-000	WASHER B, SPLINE, 20MM	1		
		17	91008-KK6-000	BEARING, RADIAL BALL, 16003 ...	1		

E-7

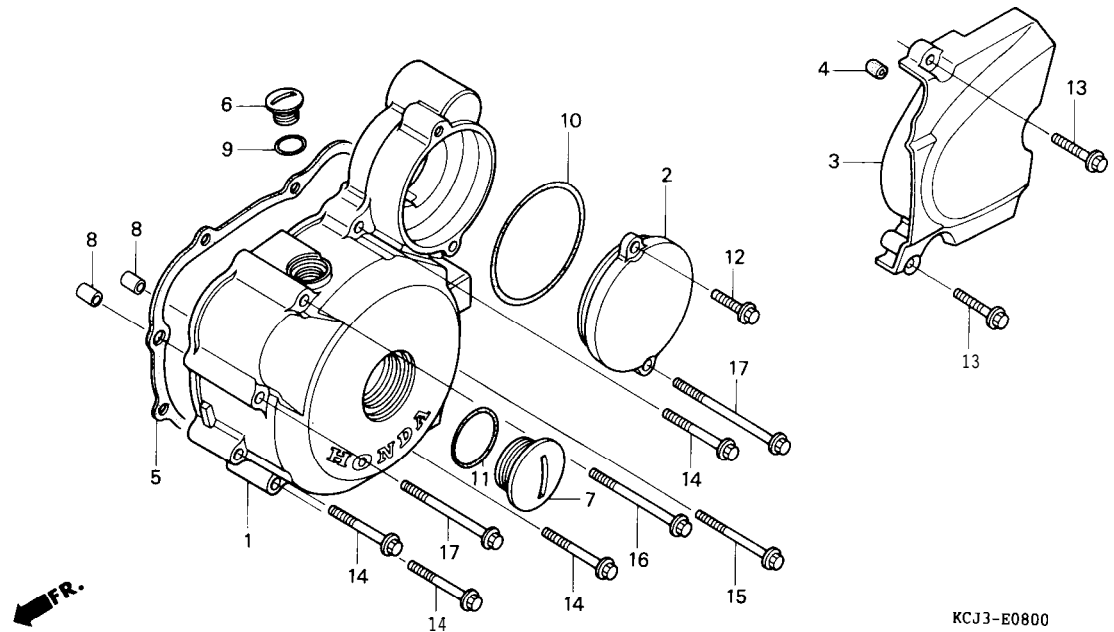
Oil pump



Service item Bagi yang diservis	F.R.T.	Ref.No. Nomor Petunjuk	Part No. Nomor Part	Description Nama-Part	Serial No. Nomor Serie	Notes Catatan
UMP ASSY., OIL.....	0.9	1	15100-KCN-000	PUMP ASSY., OIL.....	1	
ROTOR COMP., OIL FILTER		2	15131-KBB-900	GEAR, OIL PUMP DRIVE (34T)....	1	
EAR, OIL PUMP DRIVE.....	0.8	3	15331-399-000	ROTOR, OIL PUMP INNER (YAMADA)	1	
CAP, OIL FILTER ROTOR		4	15332-399-000	ROTOR, OIL PUMP OUTER (YAMADA)	1	
EAR, PRIMARY DRIVE.....	1.1	5	15430-440-030	ROTOR COMP., OIL FILTER.....	1	
		6	15436-107-000	CAP, OIL FILTER ROTOR.....	1	
		7	15441-KCS-650	THROUGH, OIL.....	1	
		8	15446-107-000	SPRING, OIL THROUGH.....	1	
		9	15459-107-000	GASKET, OIL FILTER ROTOR CAP..	1	
		10	23121-KCN-000	GEAR, PRIMARY DRIVE (22T)....	1	
		11	90101-440-000	SCREW, FLAT, 6X30.....	2	
		12	90231-KCS-651	NUT, LOCK, 16MM.....	1	
		13	90434-KN6-930	WASHER, 16MM.....	1	
		14	91304-KK3-830	O-RING, 9.4X2.4.....	2	
		15	92101-05020-0A	BOLT, HEX., 5X20.....	2	
		16	93600-04012-0A	SCREW, FLAT, 4X12.....	2	
		17	93700-05012-0A	SCREW, OVAL, 5X12.....	3	
		18	94251-08000	PIN, LOCK, 8MM.....	1	

E - 8

Left crankcase cover

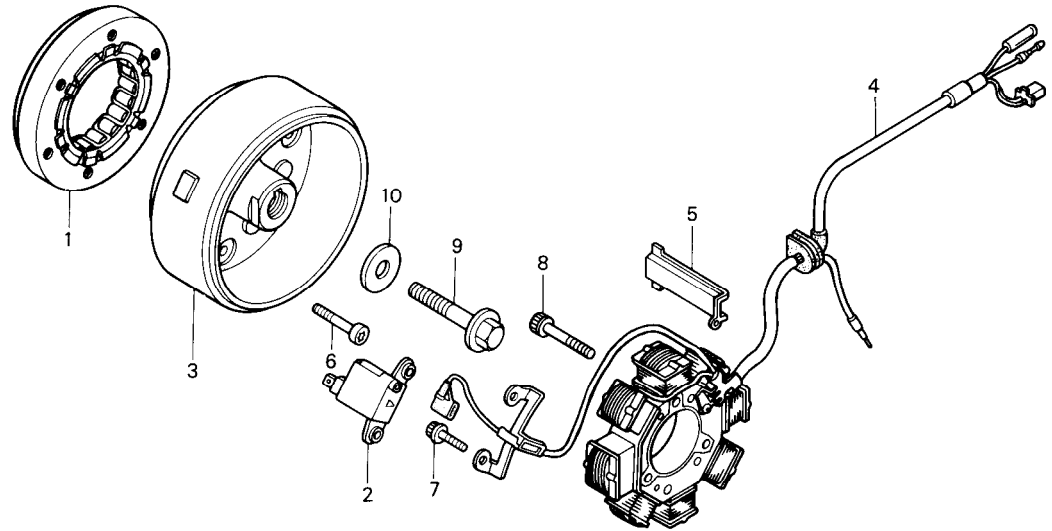


KCJ3-E0800

Service item Bagian yang diservis	F. R. T.	Ref.No. Nomor Petunjuk	Part No. Nomor Part	Description Nama - Part	Reqd. No. Jumlah GL 200	Serial No. Nomor Serie	Notes Catatan
OVER, L. CRANKCASE.....	0.9	1	11341-KCJ-710	COVER, L. CRANKCASE.....	1		
OVER, REDUCTION GEAR.....	0.2	2	11355-KCN-000	COVER, REDUCTION GEAR.....	1		
OVER, L. RR. CRANKCASE.....	0.1	3	11361-KCJ-710	COVER, L. RR. CRANKCASE.....	1		
ASKET, L. COVER.....	0.6	4	11363-437-620	RUBBER, RR. COVER MOUNTING....	1		
		5	11395-KCJ-710	GASKET, L. COVER.....	1		
		6	90084-KCJ-710	CAP, A.C. GENERATOR.....	1		
		7	90087-KCJ-710	C A P, 30MM.....	1		
		8	90703-HC4-000	PIN, DOWEL, 10X14.....	2		
		9	91303-377-000	O-RING, 13.8X2.5.....	1		
		10	91304-MN5-003	O-RING, 63X3 (ARAI).....	1		
		11	91356-425-003	O-RING, 29.7X2.4 (NOK).....	1		
		12	96001-06020-00	BOLT, FLANGE, 6X20.....	1		
		13	96001-06025-00	BOLT, FLANGE, 6X25.....	2		
		14	96001-06040-00	BOLT, FLANGE, 6X40.....	4		
		15	96001-06050-00	BOLT, FLANGE, 6X50.....	1		
		16	96001-06060-00	BOLT, FLANGE, 6X60.....	1		
		17	96001-06070-00	BOLT, FLANGE, 6X70.....	2		

E - 9

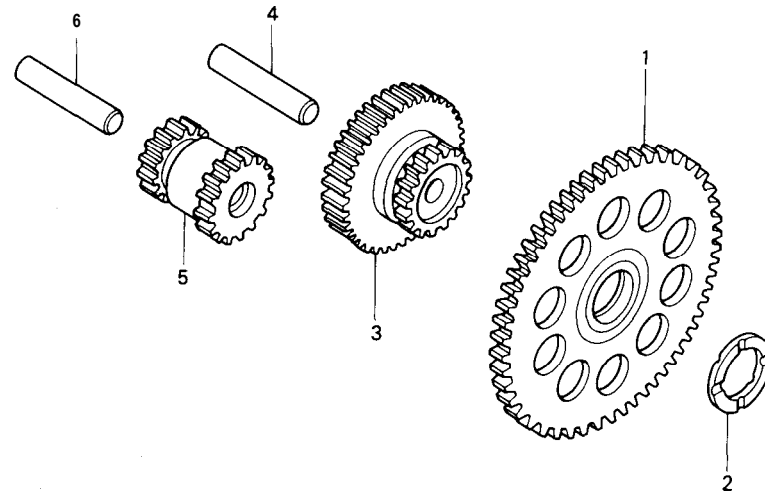
Generator



KCJ3-E0900

Service item Bagian yang diservis	F. R. T.	Ref.No. Uomor Petunjuk	Part No. Nomor Part	Description Nama - Part	Reqd. No. Jumlah GL 200	Serial No. Nomor Serie	Notes Catatan
CLUTCH COMP., STARTING ONE WAY. 1.0		1	28125-KW3-006	CLUTCH COMP., STARTING ONE WAY	1		
FLYWHEEL COMP.		2	30300-HA0-033	IGNITION PULSE GENERATOR COMP. (TEC)	1		
IGNITION PULSE GENERATOR COMP.. 0.8		3	31110-KCJ-711	FLYWHEEL COMP.....	1		
STATOR COMP..... 0.9		4	31120-KCJ-711	STATOR COMP.....	1		
		5	32975KCN-000	GUIDE, A.C. GENERATOR CORD....	1		
		6	90085-413-781	BOLT, SOCKET, 6MM.....	6		
		7	90089-KAS-900	BOLT, FLANGE SOCKET, 5X14..	2		
		8	90092-KE5-000	BOLT, STOPPER TENSIONER SHAFT.	3		
		9	90163-HA8-000	BOLT, UBS, 10X48.....	1		
		10	90403-KN6-930	WASHER, 10X24.....	1		

FR. 



KCJ3-E1000

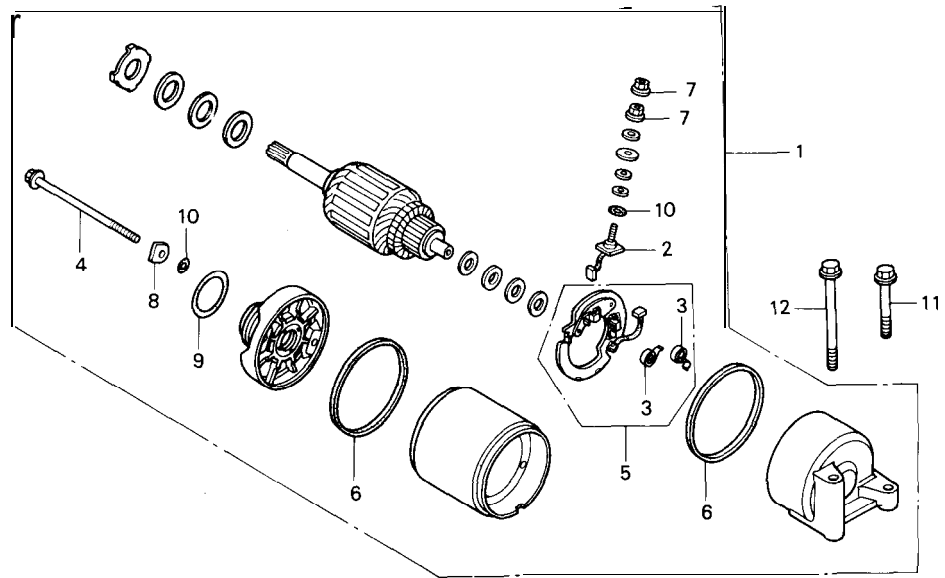
E - 1 0

Starting gear

Service item Bagian yang diservis	F. R. T.	Ref.No. Nomor Petunjuk	Part No. Nomor Part	Description Nama - Part	Reqd. No. Jumlah GL 200	Serial No. Nomor Serie	Notes Catatan
EAR COMP., STARTING DRIVEN....	0.8	1	281 10-KCN-000	GEAR COMP., STARTING DRIVEN...	1		
EAR, REDUCTION.....	0.3	2	28114-KN6-930	COLLAR, STARTING DRIVEN GEAR..	1		
EAR, IDLE.....	0.7	3	28130-KCN-000	GEAR, REDUCTION (61T/17T).....	1		
		4	28132-KN6-930	SHAFT, REDUCTION GEAR.....	1		
		5	28140-KCN-000	GEAR, IDLE (15T/16T).....	1		
		6	28142-KW1-900	SHAFT, IDLE GEAR.....	1		

E-11

Starting motor

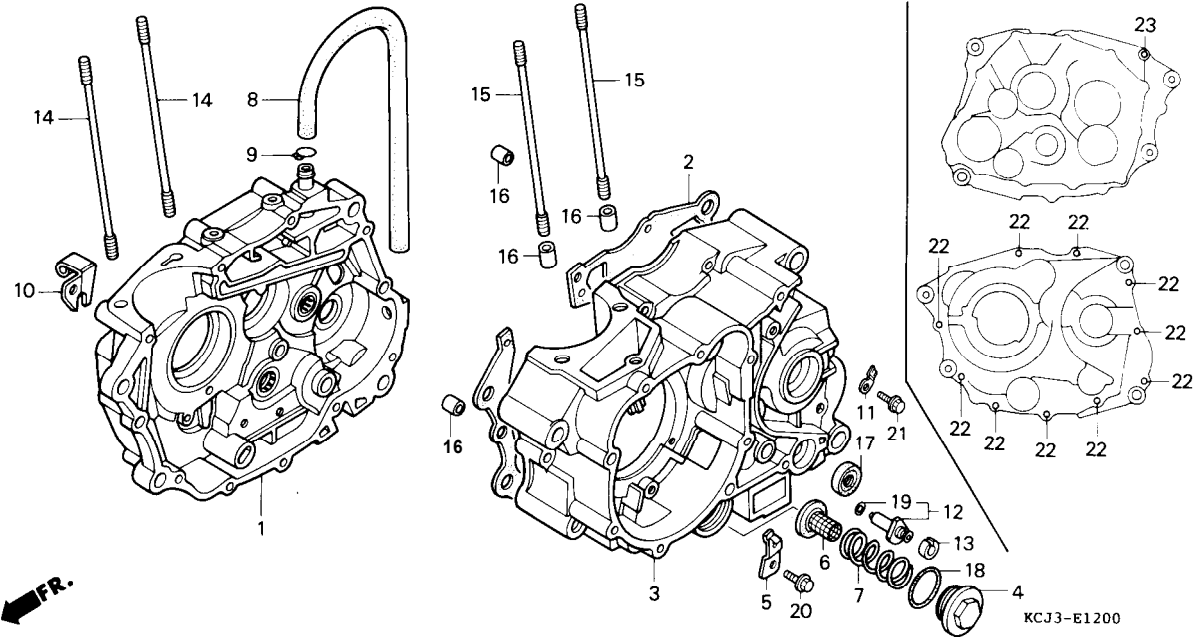


KCJ3-E1100

Service item Bagian yang diservis	F. R. T.	Ref.No. Nomor Petunjuk	Part No. Nomor Part	Description Nama - Part	Req. No. Jumlah GL 200	Serial No. Nomor Serie	Notes Catatan
OTOR ASSY., STARTING.....	0.3	1	31200-KCN-003	MOTOR ASSY., STARTING (MITSUBA)	1		
R U S H S E T, T E R M I N A L.....	0.5	2	31201-KS5-901	BRUSH SET, TERMINAL.....	1		
HOLDER SET, BRUSH		3	31204-KS5-901	SPRING, CARBON BRUSH.....	2		
		4	31205-MN4-008	BOLT, SETTING.....	2		
		5	31206-KW1-901	HOLDER SET, BRUSH.....	1		
		6	31207-KS5-901	RING.....	2		
		7	90071-MB0-000	NUT-WASHER, 6MM.....	2		
		8	90122-MN4-008	WASHER, STEEL PLATE.....	2		
		9	91309-425-003	O-RING, 24.4x3.1 (ARAI).....	1		
		10	91320-MB0-000	O-RING.....	3		
		11	95801-06035-00	BOLT, FLANGE, 6X35.....	1		
		12	95801-06060-00	BOLT, FLANGE, 6X60.....	1		

E - 1 2

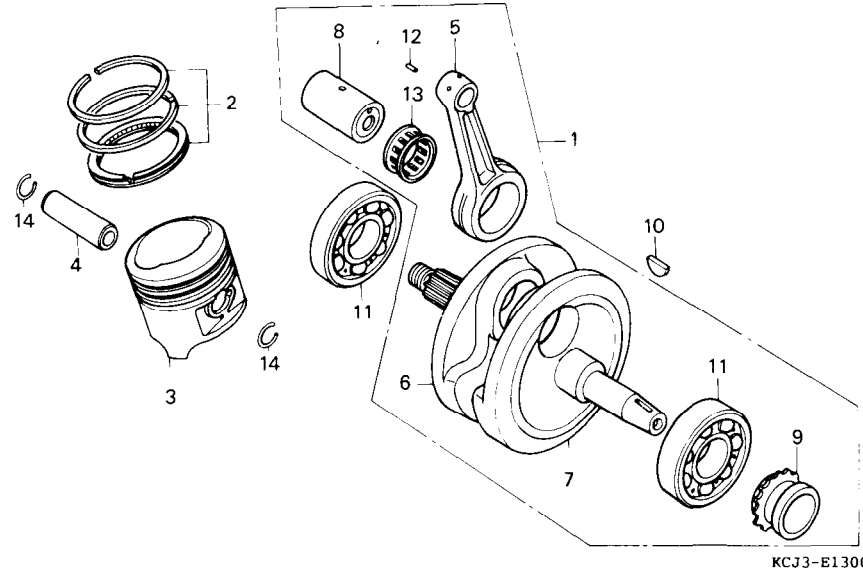
Crankcase



Service item Bagian yang diservis	F. R. T.	Ref.No. Uomor petunjuk	Part No. Nomor Part	Description Nama-Part	Reqd. No. Jumlah GL 200	Serial No. Nomor Serie	Notes Catatan
CRANKCASE COMP., R.....	*4.9	1	11100-KCJ-710	CRANKCASE COMP., R.....	1		
ASKET, CRANKCASE.....	*4.4	2	11191-KCJ-710	GASKET, CRANKCASE.....	1		
CRANKCASE COMP., L.....	X5.8	3	11200-KCJ-710	CRANKCASE COMP., L.....	1		
SCREEN, OIL FILTER.....	Ø.1	4	12361-383-000	CAP, TAPPET ADJUSTING HOLE....	1		
INC. RELATIVE PART (termasuk part yang berhubungan)		5	14513-KBB-900	PLATE, CAM CHAIN PETTING.....	1		
		6	15421-107-000	SCREEN, OIL FILTER.....	1		
		7	15426-107-000	SPRING, OIL FILTER SCREEN....	1		
		8	15761-KCJ-710	TUBE, BREATHER.....	1		
		9	15772-292-010	CLIP, BREATHER TUBE.....	1		
		10	22838-437-000	HOLDER, CLUTCH WIRE.....	1		
		11	32976-KCN-000	CLAMPER, WIRE HARNESS.....	1		
		12	35750-GS3-003	CONTACT, NEUTRAL SWITCH.....	1		
		13	35752-028-300	SPACER, NEUTRAL SWITCH.....	1		
		14	90031-KN6-930	BOLT A, CYLINDER STUD.....	2		
		15	90032-KN6-930	BOLT B, CYLINDER STUD.....	2		
		16	90703-HC4-000	PIN, DOWEL, 10x14.....	4		
		17	91206-286-013	OIL SEAL, 14X28X7 (ARAI).....	1		
		18	91303-KK3-830	O-RING, 35X3.....	1		
		19	91312-107-000	O-RING, 7X1.7.....	1		
		20	95701-06012-08	BOLT, FLANGE, 6X12.....	1		
		21	96001-06012-00	BOLT, FLANGE, 6X12.....	1		
		22	96001-06050-00	BOLT, FLANGE, 6X50.....	10		
		23	96001-06060-00	BOLT, FLANGE, 6X60.....	1		

E-13

Crankshaft • Piston



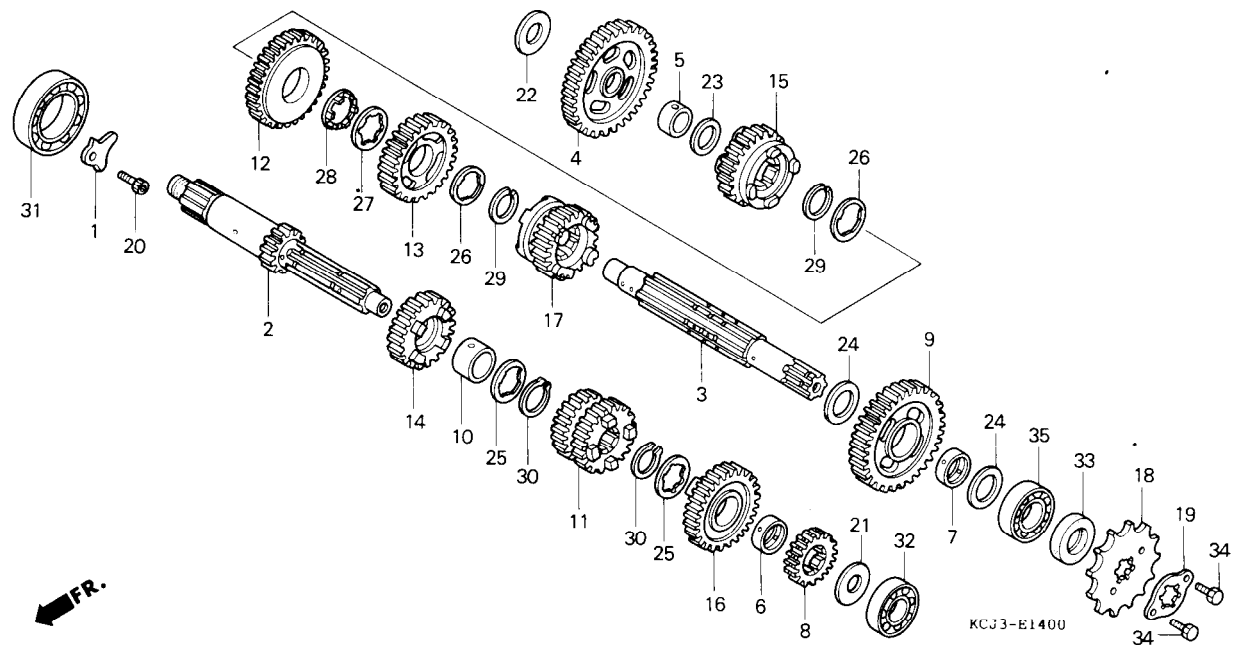
Service item Bagian yang diservis	F. R. T.	Ref.No. Nomor	Part No. Nomor Part	Description Nama Part	Reqd. No. Jumlah GL 200	Serial No. Nomor Serie	Notes Catatan
RANKSHAFT COMP.....	*5.3	1	13000-KCN-000	CRANKSHAFT COMP.....	1		Selection table of connecting rod large end bearing roller (Radial Clearance 0 ~ 8 μm) Tabel pemilihan bantalan ujungbesar batang penggerak (Toleransi Radial 0 ~ 8 μm)
ING SET, PISTON.....	*3.2	2	13011-KBB-305	RING SET, PISTON (STD.).....	1		
PISTON.....	*3.1		13021-KBB-305	RING SET, PISTON (OS 0.25)....	(1)		
			13031-KBB-305	RING SET, PISTON (OS 0.50)....	(1)		
IN, PISTON.....	*3.1	3	13101-KBB-901	PISTON (STD.).....	1		
			13102-KBB-305	PISTON (OS 0.25).....	(1)		
			13103-KBB-305	PISTON (OS 0.50).....	(1)		
OD, CONN E C T I N G. (ACTUAL TIME)		4	13111-440-000	PIN, PISTON.....	1		
		5	13201-KCN-300	ROD, CONNECTING.....	1		
EARING, RADIAL BALL, 28X72X18.	*4.6	6	13311-KCN-300	CRANKSHAFT, R.....	1		
		7	13321-KCN-300	CRANKSHAFT, L.....	1		
		8	13380-KCN-300	PIN COMP., CRANK.....	1		
		9	14311-KN6-931	SPROCKET, TIMING.....	1		
		10	90701-HB6-010	KEY, WOODRUFF, 25X14X4.....	1		
		11	91001-KC6-961H	BEARING, RADIAL BALL, 28X72X18	2		
		12	91102-KC6-003	ROLLER, 4X14.8 A (RED).....	18		
			91103-KC6-003	ROLLER, 4X14.8 B (BLUE).....	18		
			91104-KC6-003	ROLLER, 4X14.8 C (WHITE).....	18		
		13	91105-KW3-003	RETAINER, CONNECTING ROD LARGE END	1		
14	94601-I 5000	CLIP, PISTON PIN, 15MN.....	2				

Connecting rod I.D. 38 φ	a	A	B	C
Crank pin O.D. 30 φ	-0.003 ~ -0.001	-0.001 ~ +0.001	+0.001 ~ +0.003	+0.003 ~ +0.005
1 or Green	-0.001 ~ +0.001	Blue 91103- KC6-003	Red 91102- KC6-003	Red 91102- KC6-003
2 or Yellow	+0.001 ~ +0.003	Blue 91103- KC6-003	Blue 91103- KC6-003	Red 91102- KC6-003
3 or White	+0.003 ~ +0.005	White 91104- KC6-003	Blue 91103- KC6-003	Blue 91103- KC6-003
4 or Blue	+0.005 ~ +0.007	White 91104- KC6-003	White 91104- KC6-003	Blue 91103- KC6-003
5 or Brown	+0.007 ~ +0.009	White 91104- KC6-003	White 91104- KC6-003	White 91104- KC6-003

Connecting rod I.D. 38 φ	D	E	F
Crank pin O.D. 30 φ	+0.005 ~ +0.007	+0.007 ~ +0.009	+0.009 ~ +0.011
1 or Green	-0.001 ~ +0.001		
2 or Yellow	+0.001 ~ +0.003		
3 or White	+0.003 ~ +0.005	Red 91102- KC6-003	
4 or Blue	+0.005 ~ +0.007	Red 91102- KC6-003	
5 or Brown	+0.007 ~ +0.009	Blue 91103- KC6-003	Red 91102- KC6-003

E - 14

Transmisson

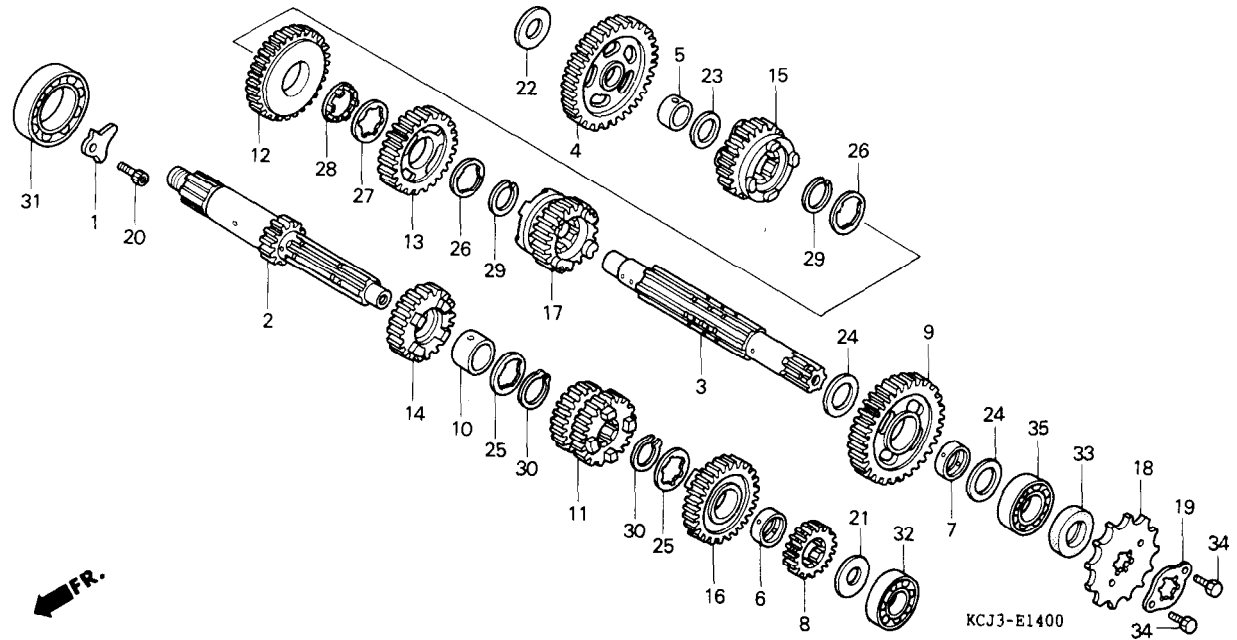


Service item Bagian yang diservis	F.R.T.	Ref.No. Nomor Petunjuk	Part No. Nomor Part	Description Nama - Part	Reqd. No. Jumlah GL 200	Serial No. Nomor Serie	Notes Catatan
AINSHAFT COMP., TRANSMISSION..	*4.6	1	11108-KCJ-710	PLATE, BEARING SETTING.....			
INC. RELATIVE PART termasukpartayang berhubungan)		2	23210-KCJ-710	MAINSHAFT COMP., TRANSMISSION..	1		
COUNTERSHAFT, TRANSMISSION		3	23221-KCJ-710	COUNTERSHAFT, TRANSMISSION....	1		
INC. RFIATIVE PART termasukpartayang berhubungan)		4	23421-KCJ-710	GEAR, COUNTERSHAFT LOW.....	1		
		5	23427-439-000	COLLAR, COUNTERSHAFT LOW GEAR.	1		
WHEN SERVICING COMP., UNIT, F.R.T. IS 4.8		6	23431-KA2-000	BUSH, 20MM.....	1		
		7	23431-437-000	BUSH, 20MM.....	1		
jika unit iengkap diservis, F.R.T. adalah 4,8)		a	23441-KCJ-710	GEAR, MAINSHAFT SECOND.....			
PROCKET, DRIVE..... 0.2		9	23451-KCJ-710	GEAR, COUNTERSHAFT SECOND.....			
		10	23452-KW1-900	BUSH, 20X23X9.....			
		11	23461-KCJ-710	GEAR, MAINSHAFT THIRD & FOURTH			
		12	23471-KCJ-710	GEAR, COUNTERSHAFT THIRD.....			
		13	23491-KCJ-710	GEAR, COUNTERSHAFT FOURTH.....			
		14	23501-KCJ-710	GEAR, MAINSHAFT FIFTH.....			
		15	23511-KCJ-710	GEAR, COUNTERSHAFT FIFTH.....	1		
		16	23512-KCJ-710	GEAR, MAINSHAFT TOP.....	1		
		17	23513-KCJ-710	GEAR, COUNTERSHAFT TOP.....			
		18	23801-KK1-010	SPROCKET, DRIVE (13T)...	1		
		19	23811-KR3-600	PLATE A2, FIXING.....	1		
		20	90001-KN6-930	BOLT, SOCKET, 6X16.....	1		
		21	90451-107-000	WASHER, THRUST, 15MM....			
		22	90451-365-000	WASHER, THRUST, 15MM....			
		23	90452-437-000	WASHER, THRUST, 16.5MM..			
		24	90454-107-000	WASHER, THRUST, 20MM....	2		
		25	90455-107-000	WASHER A, SPLINE, 20MM..	2		

1993.10.01

E-14

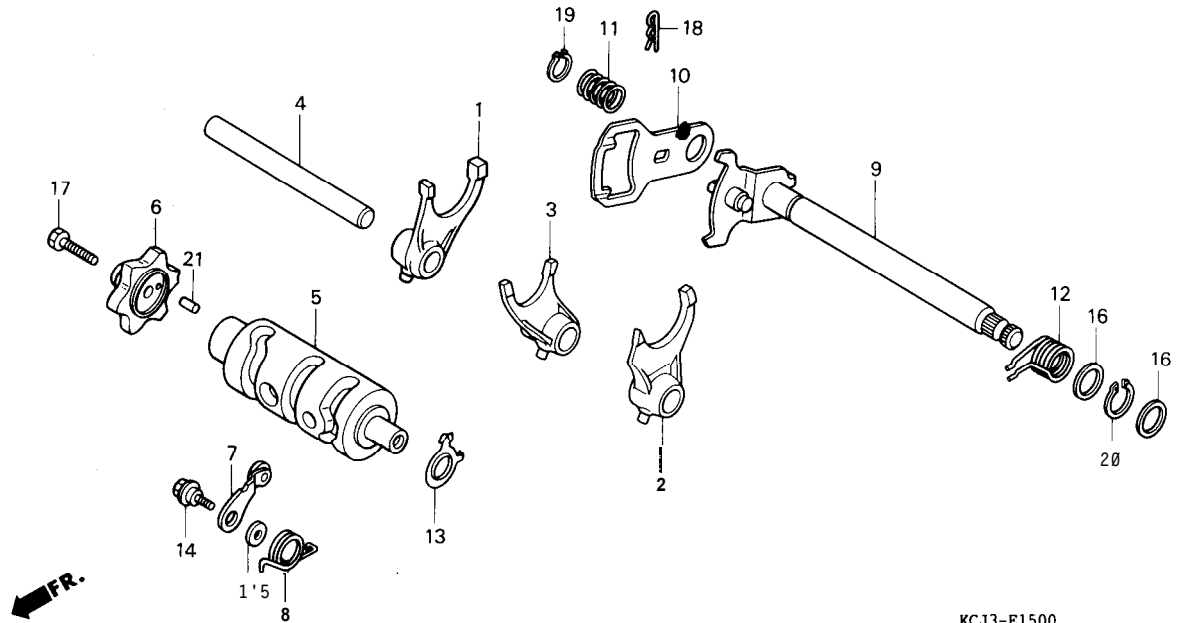
Transmisi



Service item Bagian yang diservis	F. R. T.	Ref.No. Nomor Petunjuk	Pert No. Nomor Part	Description Nama - Part	Req. No. Jumlah GL 200	Serial No. Nomor Serie	Notes Catatan
		26	90463-437-000	WASHER, SPLINE	2		
		27	90464-360-000	WASHER, COUNTERSHAFT THIRD SPLINE	1		
		28	90465-360-000	WASHER, LOCK	1		
		29	90601-437-000	CIRCLIP, EXTERNAL, 22MM	2		
		30	90605-200-000	SET RING, 20MM	2		
		31	91005-KCN-003	BEARING, RADIAL BALL, 20X55X111	1		
		32	96100-62020H	BEARING, RADIAL BALL, 6202U	1		
		33	91201-030-033	OIL SEAL, 20X34X7 (ARAI)	1		
		34	92101-06010-0A	BOLT, HEX., 6X10	2		
		35	96100-62040H	BEARING, RADIAL BALL, 6204	1		

E-15

Gearshift drum

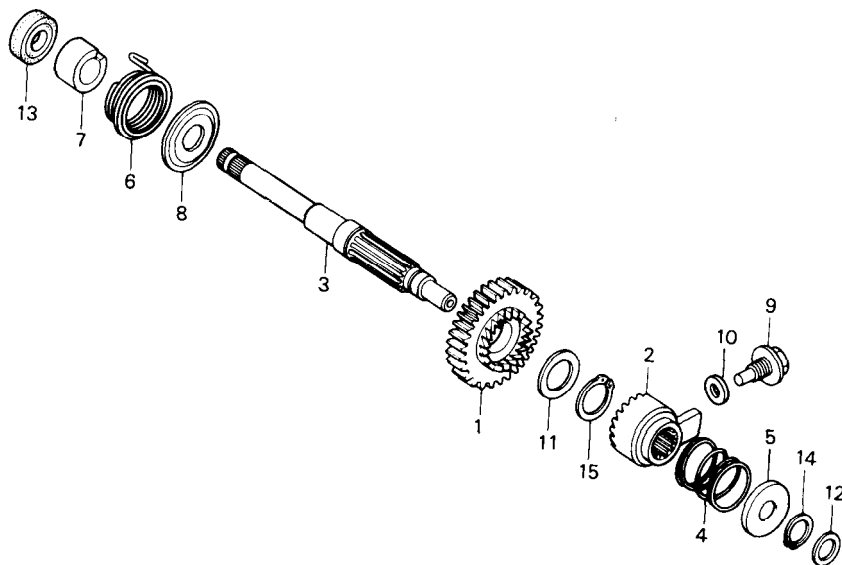


KCJ3-E1500

Service item Bagian yang diservis	F. R. T.	Ref.No. Jomor tetunjuk	Part No. Nomor Part	Description Nama - Part	Reqd. No. Jumlah di 200	Serial No. Nomor Serie	Notes Catatan
ORK, GEARSHIFT.....	*4.4	1	24211-KW1-900	FORK, R. GEARSHIFT.....	1		
ONE OR ALL -satu atau semuanya)		2	24221-427-010	FORK, L. GEARSHIFT.....	1		
DRUM, GEARSHIFT		3	24231-107-010	FORK, CENTER GEARSHIFT.....	1		
AM, GEARSHIFT.....	1.2	4	24241-KCS-650	SHAFT, GEARSHIFT FORK GUIDE...	1		
TOPPER COMP., GEARSHIFT DRUM..	0.8	5	24301-KCJ-710	DRUM, GEARSHIFT.....	1		
INC. RELATIVE PART							
termasuk part yang berhubungan)		6	24411-446-650	CAM, GEARSHIFT.....	1		
PLATE, GEARSHIFT		7	24430-KCJ-710	STOPPER COMP., GEARSHIFT DRUM.	1		
PINDLE COMP., GEARSHIFT.....	0.9	8	24435-437-000	SPRING, SHIFT DRUM STOPPER....	1		
		9	24610-446-650	SPINDLE COMP., GEARSHIFT.....	1		
		10	24621-446-650	PLATE, GEARSHIFT.....	1		
		11	24631-107-000	SPRING, GEARSHIFT PLATE.....	1		
		12	24651-437-000	SPRING, GEARSHIFT RETURN.....	1		
		13	35753-KG2-951	ROTOR, NEUTRAL SWITCH.....	1		
		14	90023-KW1-900	BOLT, GEARSHIFT DRUM STOPPER ARM PIVOT	1		
		15	90408-KW1-900	WASHER, 6MM.....	1		
		16	90451-001-000	WASHER, THRUST, 14NN.....	2		
		17	92101-06025-0A	BOLT, HEX., 6X25.....	1		
		18	94251-10000	PIN, LOCK, 10MM.....	1		
		19	94510-12000	CIRCLIP, EXTERNAL, 12MM.....	1		
		20	94510-14000	CIRCLIP, EXTERNAL, 14MM.....	1		
		21	96220-40100	ROLLER, 4X10.....	1		

E - 1 6

Kick starter spindle

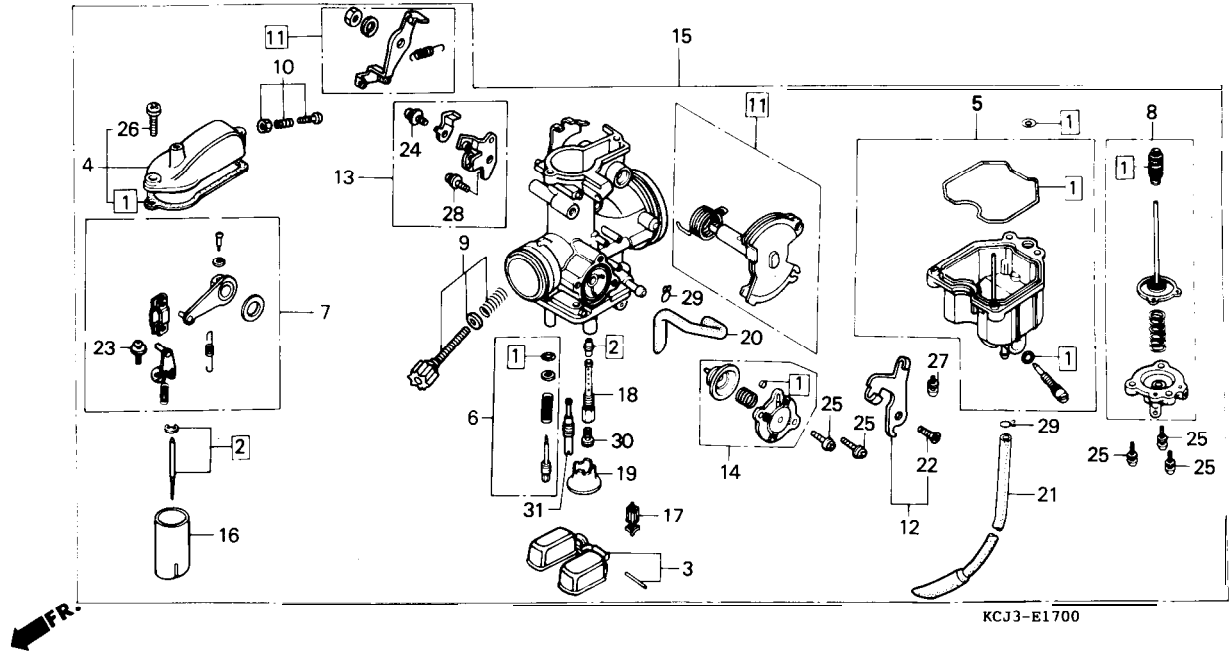


KCJ3-E1600

Service item Bagi yang diservis	F. R. T.	Ref. No. Nomor Petunjuk	Part No. Nomor Part	Description Nama-Part	Reqd. No. Jumlah GL 200	Serial No. Nomor Serie	Notes Catatan
PINDLE, KICK STARTER.....	*3.9	1	28211-KCJ-710	PINION, KICK STARTER.....	1		
INC. RELATIVE PART (termasuk part yang berhubungan)		2	28221-KCJ-710	RATCHET, KICK STARTER.....	1		
		3	28251-KC6-000	SPINDLE, KICK STARTER.....	1		
OIL SEAL, 16X28X7.....	0.6	4	28253-KCJ-710	SPRING, KICK STARTER RATCHET	1		
		5	28254-437-000	SEAT, RATCHET SPRING.....	1		
		6	28261-KCJ-710	SPRING, KICK STARTER.....	1		
		7	28262-437-000	COLLAR, KICK SPINDLE.....	1		
		8	28263-KCJ-710	RETAINER, STARTER SPRING.....	1		
		9	90004-437-000	BOLT, KICK RATCHET.....	1		
		10	90401-KCJ-710	WASHER, 12NN.....	1		
		11	90453-107-000	WASHER A, THRUST, 20MM.....	1		
		12	90459-107-000	WASHER, THRUST, 12MM.....	1		
		13	91204-259-003	OIL SEAL, 16X28X7 (ARAI).....	1		
		14	94510-16000	CIRCLIP, EXTERNAL, 16MM.....	1		
		15	94510-20000	CIRCLIP, EXTERNAL, 20MM.....	1		

E - 17

Carburetor



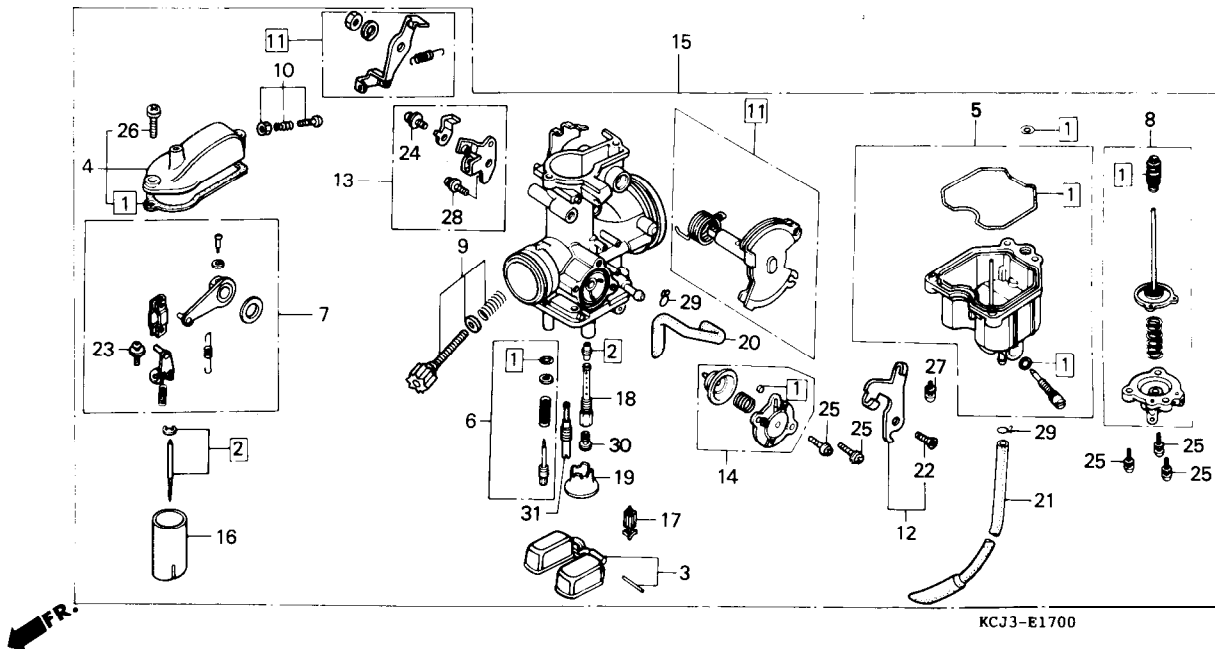
KCJ3-E1700

Service item Bagian yang diservis	F. R. T.	Ref.No. Part No. Jomor Nomor Part Petunjuk	Description Nama - Part	Reqd. No. Jumlah GL 200	Serial No. Nomor Serie	Notes Catatan
GASKET SET.....	1.0	① 16010-428-671	GASKET SET.....	1		
NEEDLE SET, JET.....	0.9	② 16012-KCJ-710	NEEDLE SET, JET.....	1		
FLOAT SET.....	0.6	3 16013-439-921	FLOAT SET.....	1		
VALVE COMP., FLOAT		4 16014-KZ1-670	TOP SET.....	1		
CLIP, TUBE		5 16015-KCJ-710	CHAMBER SET, FLOAT.....	1		
TOP SET.....	0.4					
CHAMBER SET, FLOAT		6 16016-402-004	SCREW SET A.....			
ARM SET, LINK.....	0.8	7 16018-428-671	ARM SET, LINK.....			
LINK SET		8 16021-KCJ-710	DIAPHRAGM SET, PUMP.....			
DIAPHRAGM SET, PUMP.....	0.5	9 16028-KBW-901	SCREW SET B.....			
VALVE SET, AIR CUT.....	0.3	10 16029-426-003	SCREW SET C.....			
CARBURETOR ASSY.....	0.7					
VALVE, THROTTLE		⑪ 16033-KCJ-710	LINK SET.....	1		
		12 16037-KCJ-710	STAY SET.....	1		
		13 16038-KCJ-710	STAY SET, CHOKE.....	1		
		14 16048-KB7-901	VALVE SET, AIR CUT.....	1		
		15 16100-KCJ-710	CARBURETOR ASSY.....	1		
		16 16111-KBW-900	VALVE, THROTTLE.....	1		
		17 16155-397-971	VALVE COMP., FLOAT.....	1		
		18 16165-KBW-900	HOLDER, NEEDLE JET.....	1		
		19 16168-382-014	HOLDER, JET.....	1		
		20 16198-KBW-900	TUBE.....	1		
		21 16199-KCJ-710	TUBE.....	1		
		22 93600-05010-1H	SCREW, FLAT, 5X10.....	1		
		23 93892-03008-18	SCREW-WASHER, 3x8.....	2		
		24 93892-04008-18	SCREW-WASHER, 4x8.....			
		25 93892-04012-18	SCREW-WASHER, 4X12.....			

1993.10.01

E-17

Carburetor



Service item Bagian-yang diservis	F. R. T.	Ref.No. Nomor Petunjuk	Part No. Nomor Part	Description Nama - Part	Reqd. No. Jumlah GL 200	Serial No. Nomor Serie	Notes Catatan
		26	93892-04014-18	SCREW-WASHER, 4X14.....	2		
		27	93892-04016-18	SCREW-WASHER, 4X16.....	3		
		28	93892-05010-18	SCREW-WASHER, 5X10.....	1		
		29	95002-02659	CLIP, TUBE (B6.5).....	2		
		30	99101-393-1200	J E MAIN, #120.....	1		
		31	99103-440-0380	JET, SLOW, #38.....	1		